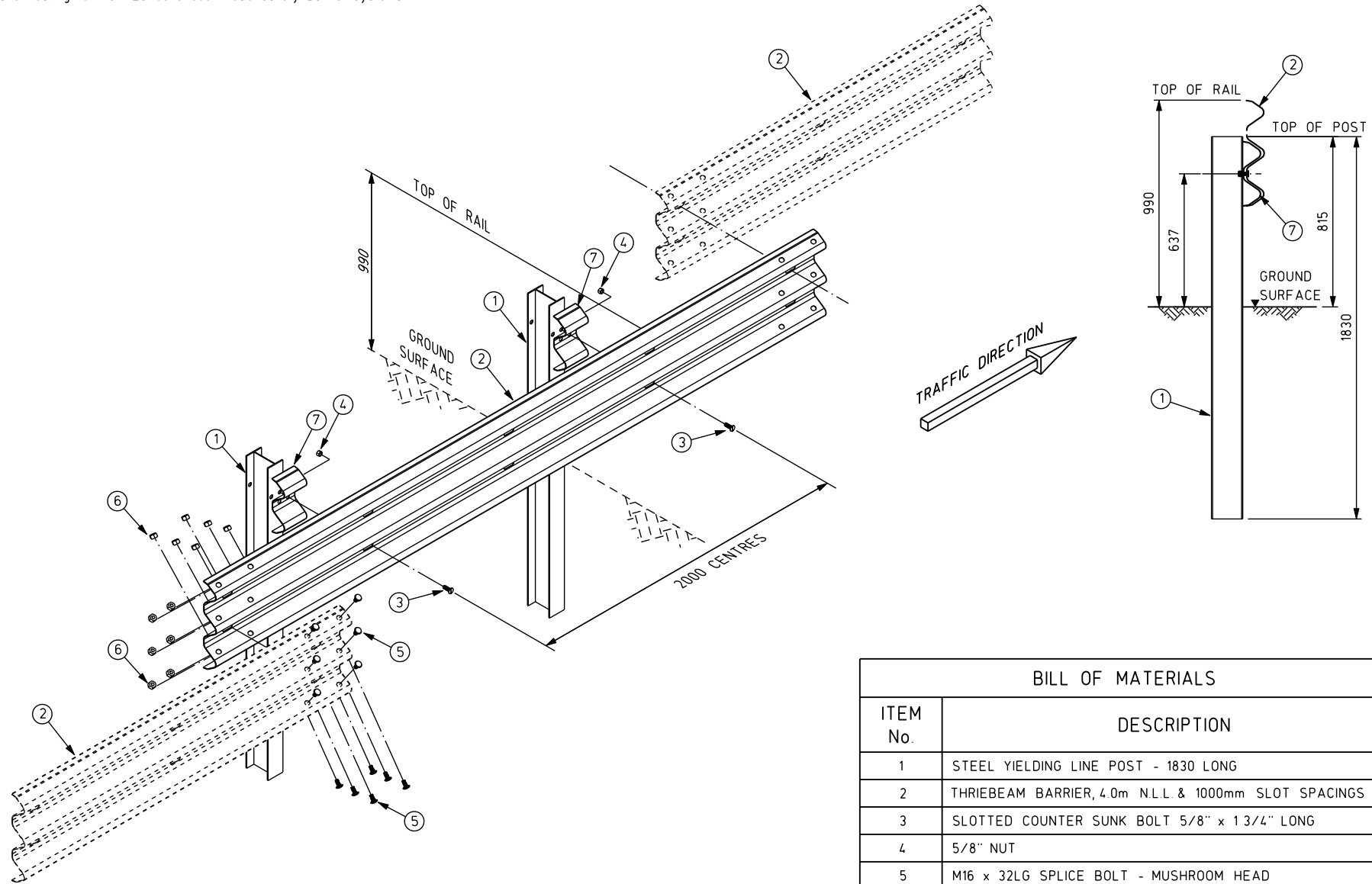


The T-39 Thriebeam Barrier has been approved by the US Federal Highway Administration as conforming to NCHRP Report 350 Test level 3 (TL3) and Test level 4 (TL4). This report has been adopted as the basis of testing for AS/NZS 3845:1999 "Road Safety Barrier Systems".



BILL OF MATERIALS		
ITEM No.	DESCRIPTION	QTY
1	STEEL YIELDING LINE POST - 1830 LONG	2
2	THRIEBEAM BARRIER, 4.0m N.L.L. & 1000mm SLOT SPACINGS	1
3	SLOTTED COUNTER SUNK BOLT 5/8" x 1 3/4" LONG	2
4	5/8" NUT	2
5	M16 x 32LG SPLICE BOLT - MUSHROOM HEAD	12
6	M16 OVERSIZE NUT	12
7	FLANGE PROTECTOR	2

CAD FILE - DEV060402.DGN 29/9/06

1	INITIAL ISSUE	A J P	29/9/06
ISSUE	Description	Chkd	Date

**INGAL Civil Products**

127-141 Bath Road, Kirrawee, NSW, 2232 Australia  
 Telephone 61-2-9710 5555, Facsimile 61-2-9542 3687, Internet www.ingalcivil.com.au  
 © Industrial Galvanizers Corporation Pty Ltd ACN 000 545 415 (2003)  
 This drawing is the subject of COPYRIGHT. No part of it may be used, reproduced or copied by any means or in any form without the prior permission of the owner.

PROJECT THRIEBEAM BARRIER SYSTEM  
 T-39 VERGE APPLICATION ASSEMBLY

TITLE GENERAL ARRANGEMENT

DATE 29/9/06	INGAL CIVIL PRODUCTS
DRAWN A PURDON	DRAWING No.
DESIGNED TRINITY IND	<b>DEV-06-04-02</b>
CHECKED TC	ISSUE No.
MATERIAL AS SHOWN	1
FINISH AS SPECIFIED	
SCALE NTS	