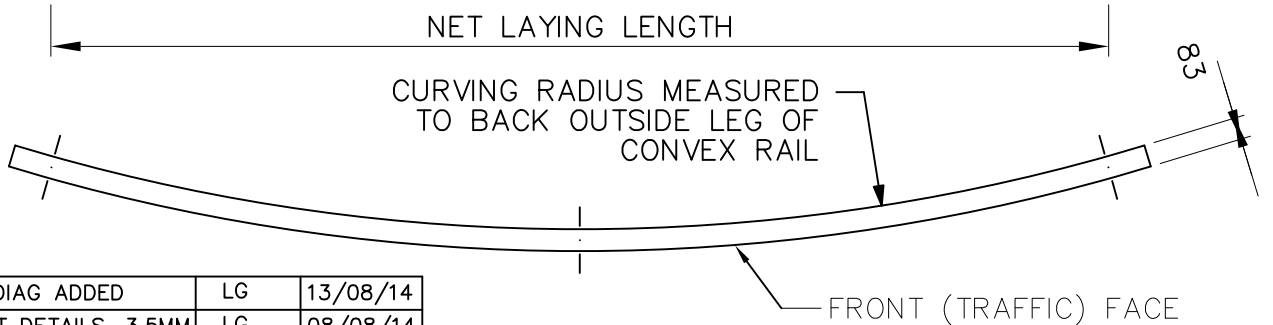
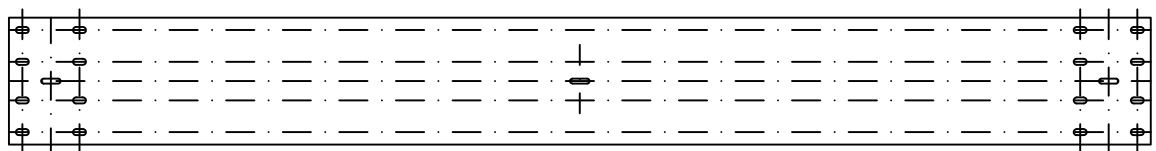


ICP ORDER NUMBER	
CUSTOMER	
PROJECT	
QUANTITY	PIECES
NET LAYING LENGTH	
<input type="checkbox"/> 3.81 METRES <input type="checkbox"/> 4.0 METRES <input type="checkbox"/> 5.0 METRES	
CURVING RADIUS _____ METRES	
OR	
CHORD _____ mm	HEIGHT _____ mm
STEEL TYPE	
<input type="checkbox"/> HA350 2.7mm <input type="checkbox"/> HA350 3.5mm	



3	CURVE DIAG ADDED	LG	13/08/14
2	CONTACT DETAILS, 3.5MM	LG	08/08/14
1	INITIAL ISSUE	GPP	29/06/03
ISSUE	Description	Checked	Date

  
**INGAL**  
 Civil Products  
 57-65 Airs Road, Minto, 2566  
 Australia  
 Telephone +61 2 9827 33033  
 Facsimile +61 2 9827 33033  
 www.ingalcivil.com.au  
 © Industrial Galvanizers Corporation Pty. Ltd.

PROJECT DETAILS  
**W-BEAM GUARDRAIL CURVING  
 CONVEX RAIL  
 SINGLE CURVATURE**

INGAL CIVIL PRODUCTS  
 DRAWING No.  
**GR-STD-31**  
 ISSUE No.  
**3**

DATE	29/06/03	DRAWN	GPP	DESIGNED	GPP	CHECKED	GPP
MAT.	HA350	FINISH	H.D.GALV.	SCALE	NTS		