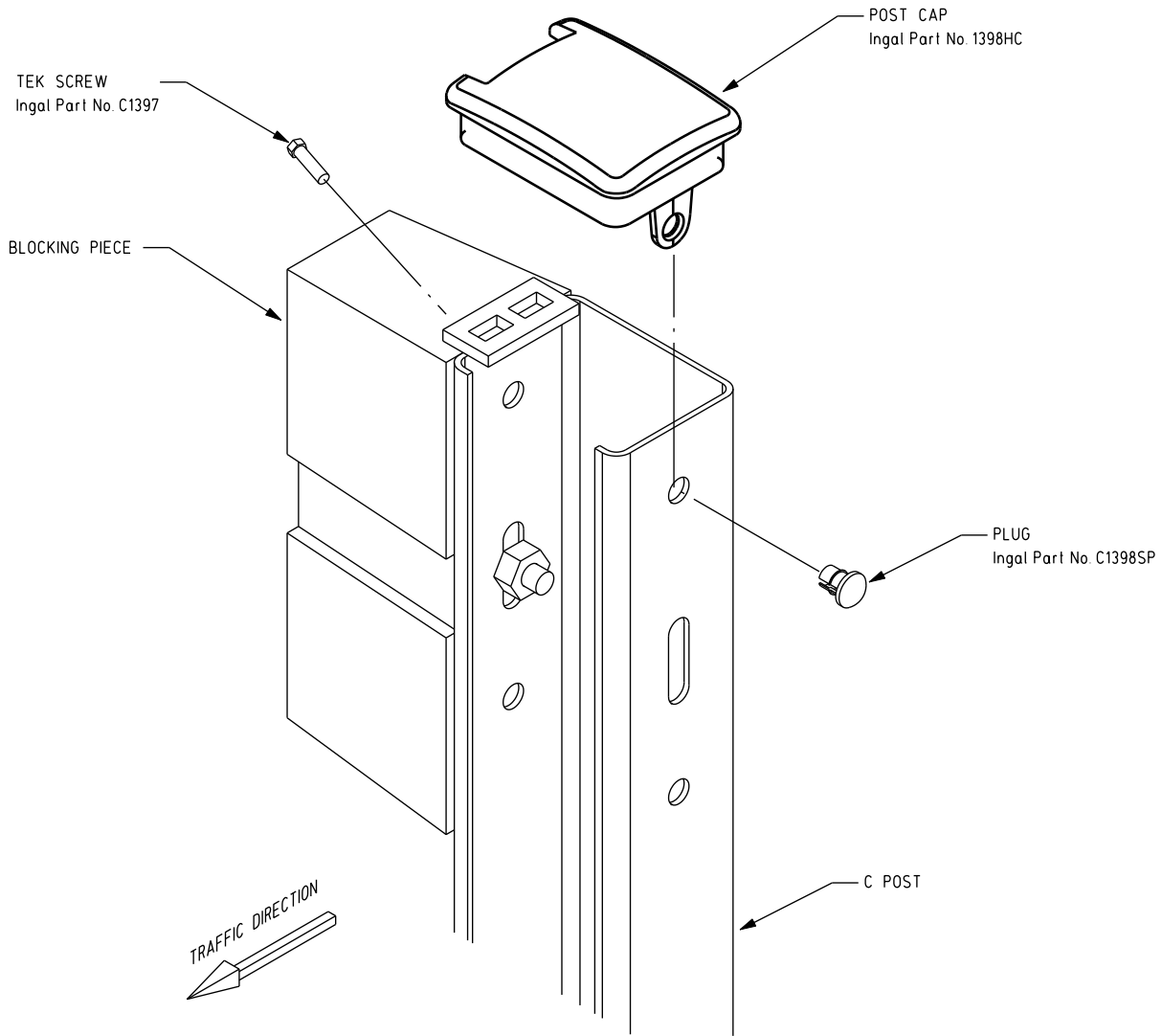


CAD FILE - GRSTD50-DGN 21/7/06



ISSUE	Description	Chkd	Date
1	INITIAL ISSUE	A J P	21/7/06



INGAL Civil Products

127-141 Bath Road, Kirrawee, NSW, 2232 Australia
 Telephone 61-2-9710 5555, Facsimile 61-2-9542 3667, Internet www.ingalcivil.com.au
 © Industrial Galvanizers Corporation Pty Ltd ACN 000 545 415 (2003)
 This drawing is the subject of COPYRIGHT. No part of it may be used, reproduced or copied by any means or in any form without the prior permission of the owner.

PROJECT	FLEXBEAM GUARDRAIL POST CAP
TITLE	C POST WITH INgal BLOCKING PIECE

DATE	21/7/06	INGAL CIVIL PRODUCTS
DRAWN	A PURDON	DRAWING No.
DESIGNED	ICP	GR-STD-50
CHECKED	T.C.	ISSUE No.
MATERIAL	AS SHOWN	1
FINISH	AS SPECIFIED	
SCALE	NTS	