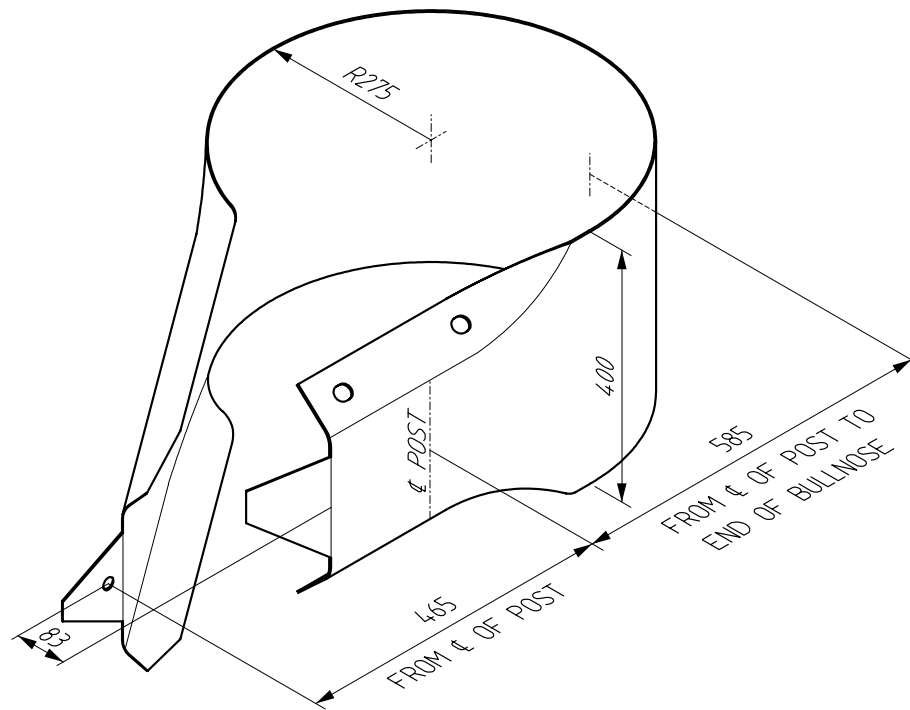
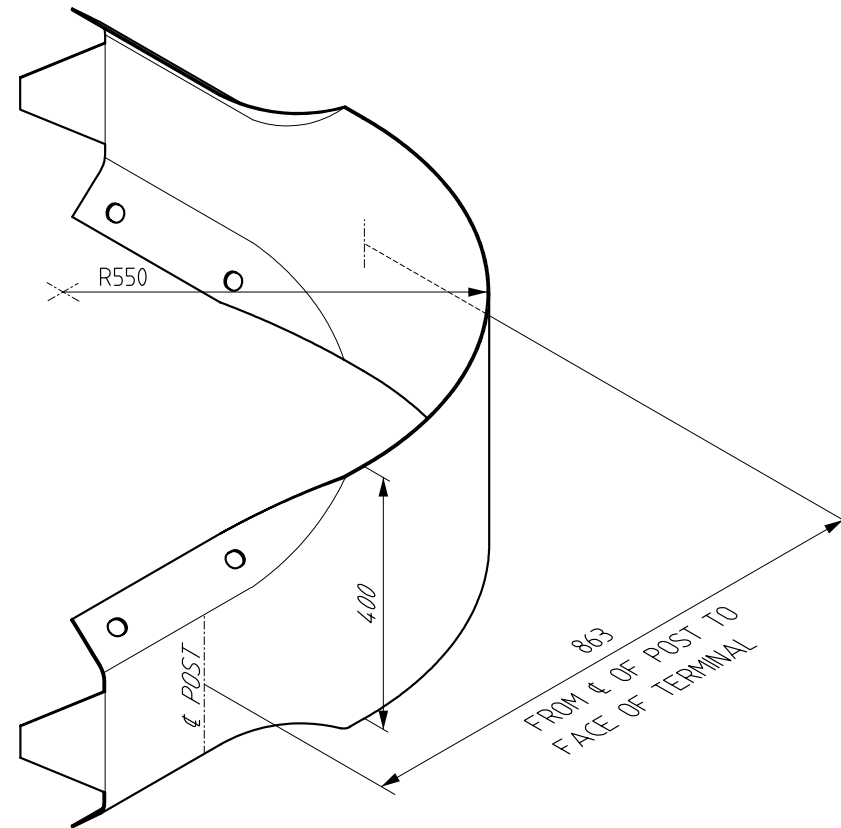


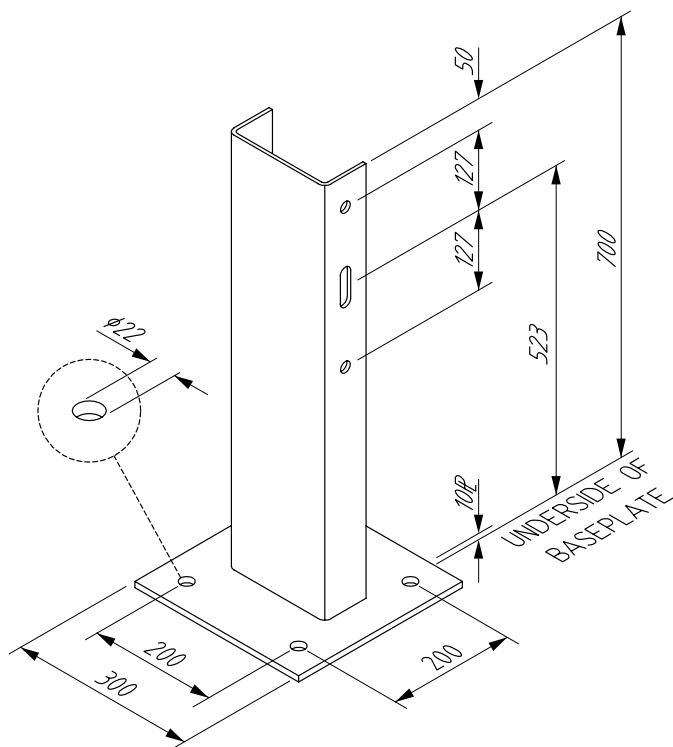
FISHTAIL
Part No. C1050G



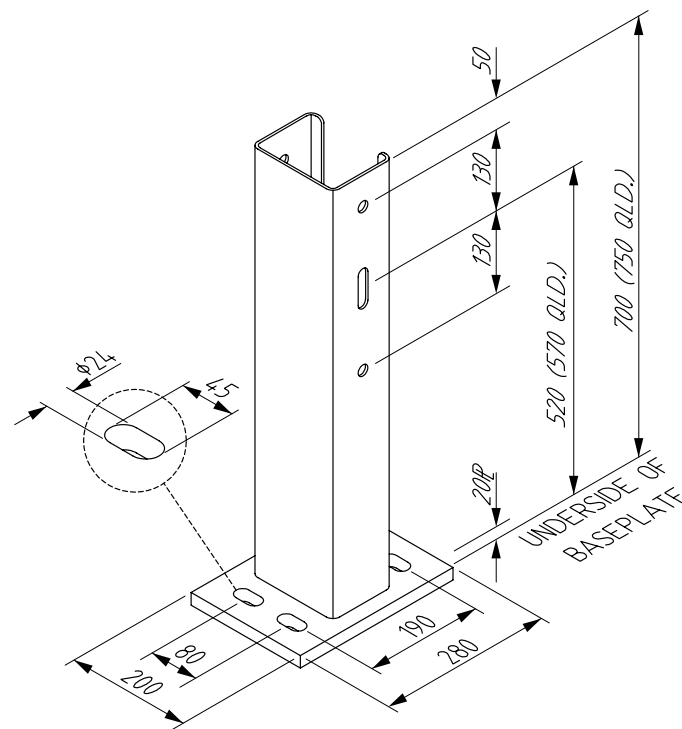
BULLNOSE
Part No. C1060G



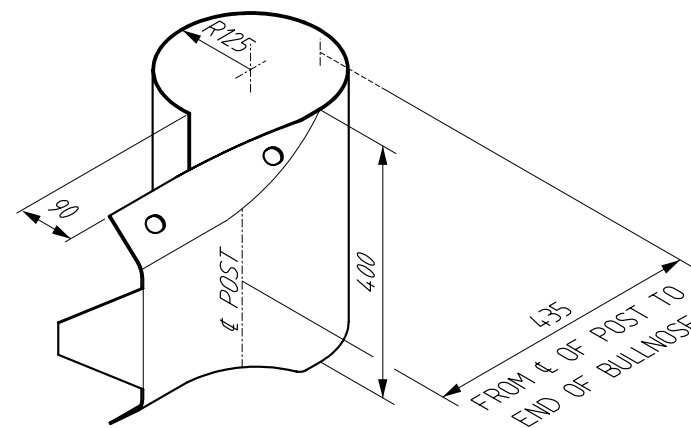
RIGHT ANGLE TERMINAL
Part No. C1068G



'U' POST ON BASE PLATE (VIC.)
Part No. C1135G



'C' POST ON BASE PLATE
Part No. C1432G
Part No. C1409G (QLD.)



SHORT BULLNOSE
Part No. C1064G

Rev.	Description	Chkd	Date
0	INITIAL ISSUE	T.C.	30/1/06



INGAL Civil Products

127-141 Bath Road, Kirrawee, NSW, 2232 Australia
Telephone 61-2-9710 5555, Facsimile 61-2-9542 3667, Internet www.ingalcivil.com.au
© Industrial Galvanizers Corporation Pty Ltd ACN 000 545 415 (2006)
This drawing is the subject of COPYRIGHT. No part of it may be used, reproduced or copied by any means or in any form without the prior permission of the owner.

PROJECT	FLEXBEAM GUARDRAIL ACCESSORIES
TITLE	COMPONENT DETAILS

DATE	30/1/06	INGAL CIVIL PRODUCTS REFERENCE No.
DRAWN	B.FREEMAN	
DESIGNED	-	DRAWING No. GR-STD-49
CHECKED	T.C.	
MATERIAL	-	
FINISH	H.D.GALV.	
SCALE	N.T.S.	REV.0