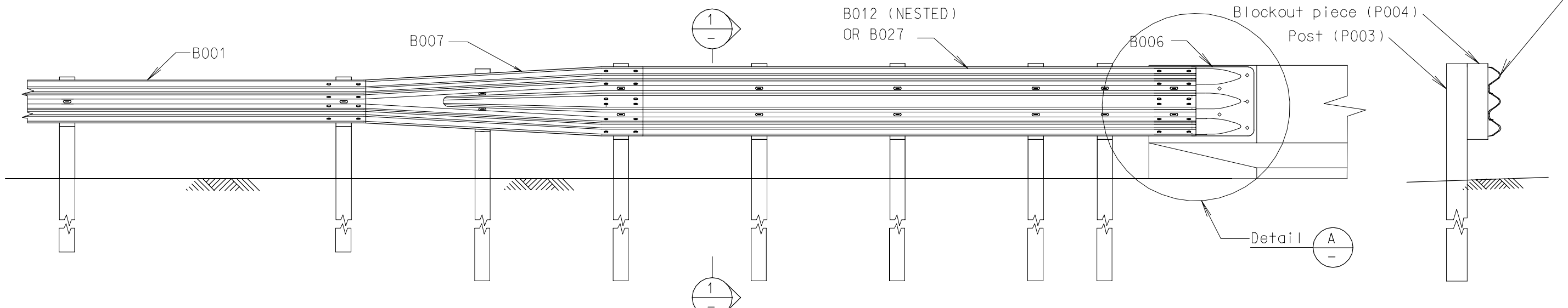
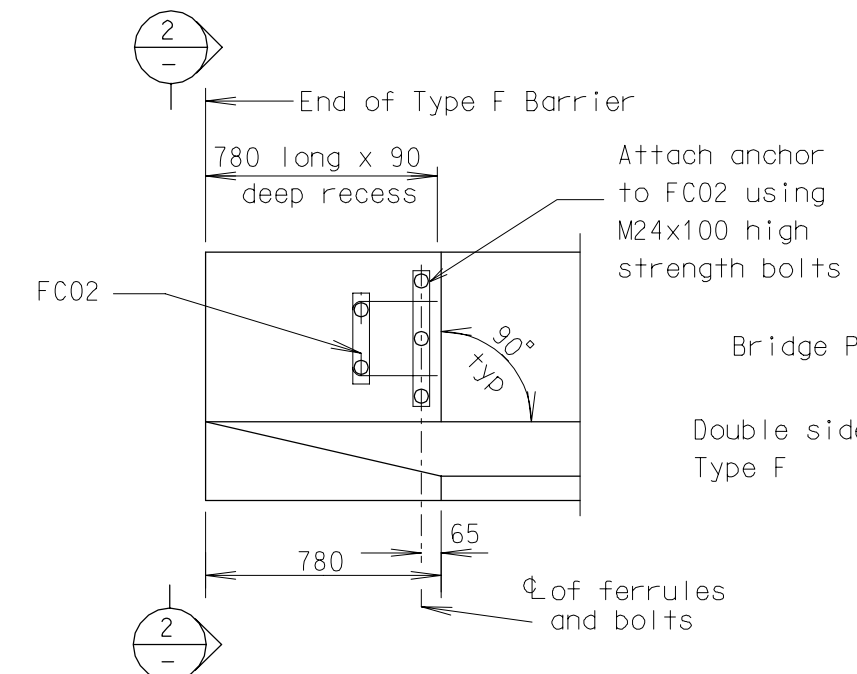


PLAN

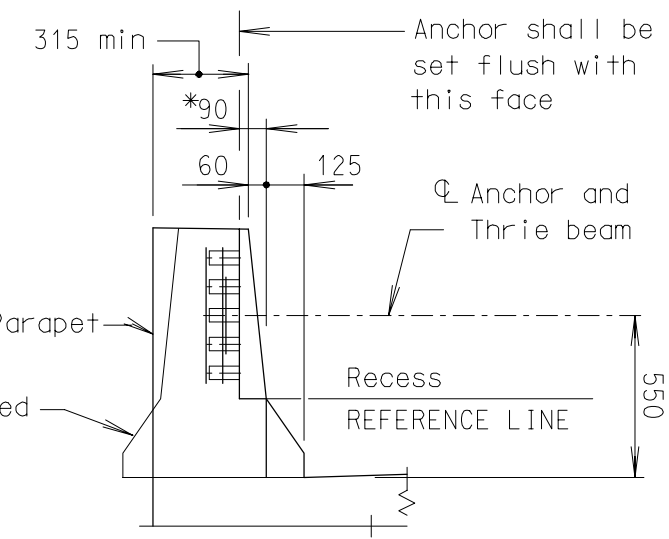


ELEVATION

SECTION 1



DETAIL A



SECTION 2

NOTES

1. Detail of concrete parapet extracted from Bridge Branch Drawings RTAB031 (Aug 97).
2. Bridge parapets / Type F barrier must be of adequate strength to accept full impact loading.
3. Blockout piece P006/P007 not to be used in this transition
4. * Denotes typical dimension for all cases. Where barriers are constructed on a grade this dimension shall be measured along reference line as shown on DETAIL A
5. High strength steel bolts shall be Property Class 8.8 to AS/NZS 1252 (hot dip galvanised to AS 1214).

AMENDMENT DETAILS		DATE
Change dimension from 535 to 550		July 2001
Roads and Traffic Authority NSW		
W BEAM CONNECTION TO TYPE F BARRIER OR PARAPET ON CONCRETE BRIDGES		
SCALE	No. OF SHEETS	SHEET No.
N.T.S.	1	1
DRAWING NUMBER		
MD.R132.H01.B		