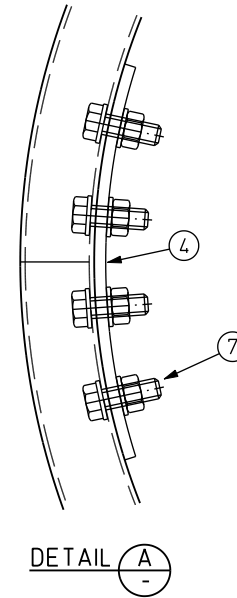
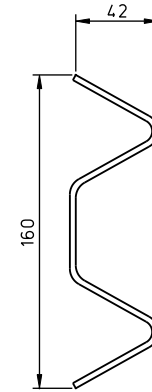


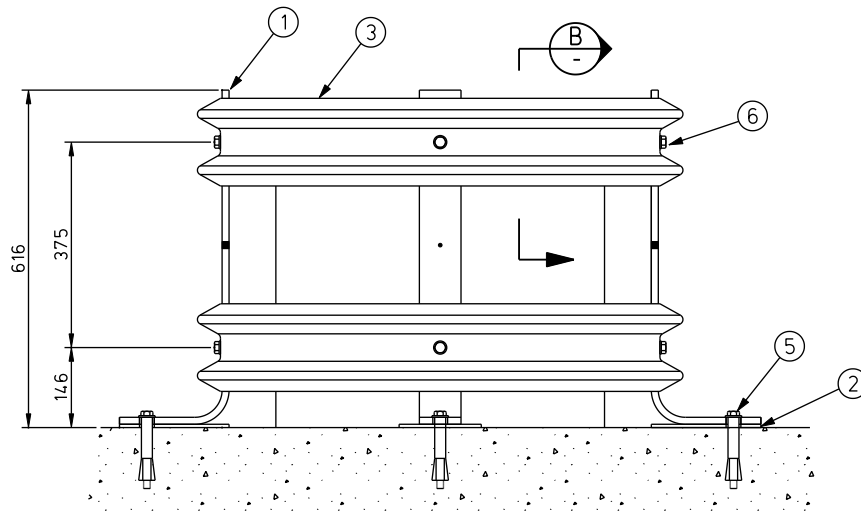
PLAN VIEW



DETAIL A



VIEW B



ELEVATION

NOTES:

- ALL DIMENSIONS ARE IN MILLIMETRES
- HOLES FOR RAIL ATTACHMENT TO POSTS ARE TO DRILLED ON SITE.

BILL OF MATERIALS

ITEM No.	PART No.	DESCRIPTION	QTY
1	C1984	610mm COLUMN BUFFA POST	4
2	C1985	BOTTOM PLATE 76mm X 12mm	4
3	C1989	500mm DIA. RAIL SEMI CIRCLE	4
4	C1990	500mm DIA. SPLICE CONNECTION PLATE	4
5	C1997	M20 x 125mm DYNABOLT BOLT	4
6	C1999	M12 x 45mm BOLT/NUT/WASHER	8
7	C2000	M12 x 35mm BOLT/NUT/WASHER	16

Rev	Description	Chkd	Date
0	INITIAL ISSUE	AP	24/09/07

**INGAL Civil Products**

127-141 Bath Road, Kirrawee, NSW, 2232 Australia  
 Telephone 61-2-9710 5555, Facsimile 61-2-9542 3667, Internet www.ingalcivil.com.au  
 © Industrial Galvanizers Corporation Pty Ltd ACN 000 545 415 (2005)  
 This drawing is the subject of COPYRIGHT. No part of it may be used, reproduced or copied by any means or in any form without the prior permission of the owner.

PROJECT COLUMN BUFFA 500mm DIAMETER

---

TITLE GENERAL ARRANGEMENT

DATE 24/09/07	INGAL CIVIL PRODUCTS REFERENCE No.
DRAWN AJP	
DESIGNED Berry Systems	DRAWING No. <b>STB-01</b>
CHECKED T C	
MATERIAL AS SHOWN	
FINISH H.D GALV.	
SCALE 1:10 (A3)	REV 0