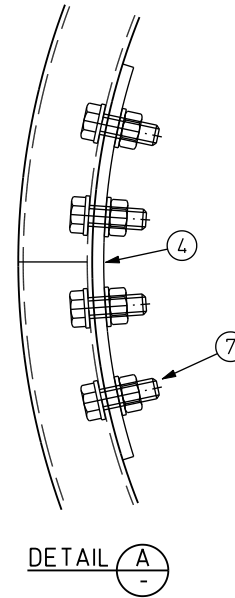
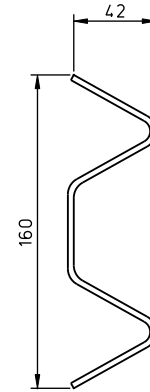


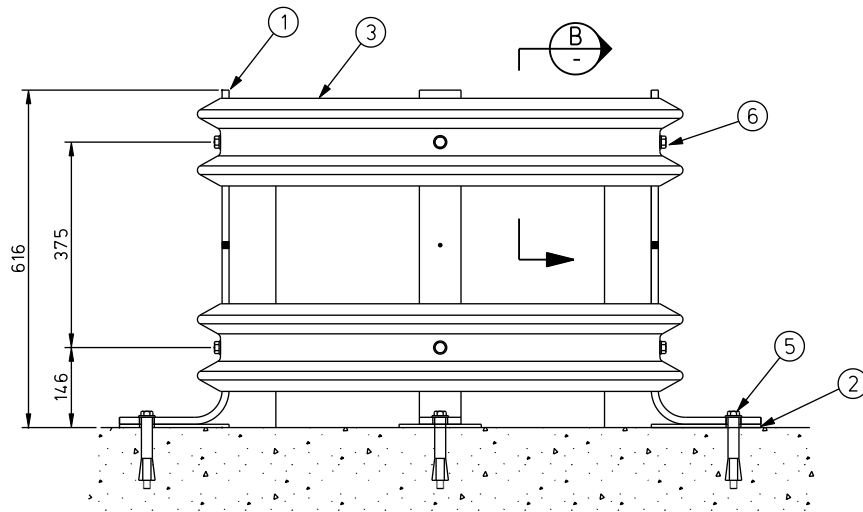
PLAN VIEW



DETAIL A



VIEW B



ELEVATION

NOTES:

1. ALL DIMENSIONS ARE IN MILLIMETRES
2. HOLES FOR RAIL ATTACHMENT TO POSTS ARE TO DRILLED ON SITE.

BILL OF MATERIALS			
ITEM No.	PART No.	DESCRIPTION	QTY
1	C1984	610mm COLUMN BUFFA POST	4
2	C1985	BOTTOM PLATE 76mm X 12mm	4
3	C1992	750mm DIA. RAIL SEMI CIRCLE	4
4	C1993	750mm DIA. SPLICE CONNECTION PLATE	4
5	C1997	M20 x 125mm DYNABOLT	4
6	C1999	M12 x 45mm BOLT/NUT/WASHER	8
7	C2000	M12 x 35mm BOLT/NUT/WASHER	16

Rev	Description	Chkd	Date
0	INITIAL ISSUE	AP	25/09/07

INGAL Civil Products
 127-141 Bath Road, Kirrawee, NSW, 2232 Australia
 Telephone 61-2-9710 5555, Facsimile 61-2-9542 3667, Internet www.ingalcivil.com.au
 © Industrial Galvanizers Corporation Pty Ltd ACN 000 545 415 (2005)
 This drawing is the subject of COPYRIGHT. No part of it may be used, reproduced or copied by any means or in any form without the prior permission of the owner.

PROJECT COLUMN BUFFA 750mm DIAMETER
 TITLE GENERAL ARRANGEMENT

DATE 25/09/07
 DRAWN AJP
 DESIGNED Berry Systems
 CHECKED T C
 MATERIAL AS SHOWN
 FINISH H.D GALV.
 SCALE 1:10 (A3)

INGAL CIVIL PRODUCTS
 REFERENCE No.
 DRAWING No.
STB-02
 REV 0