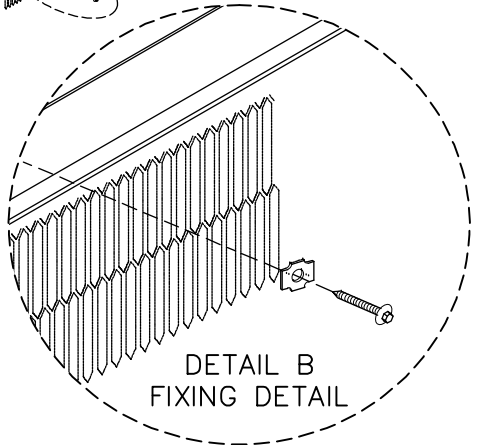
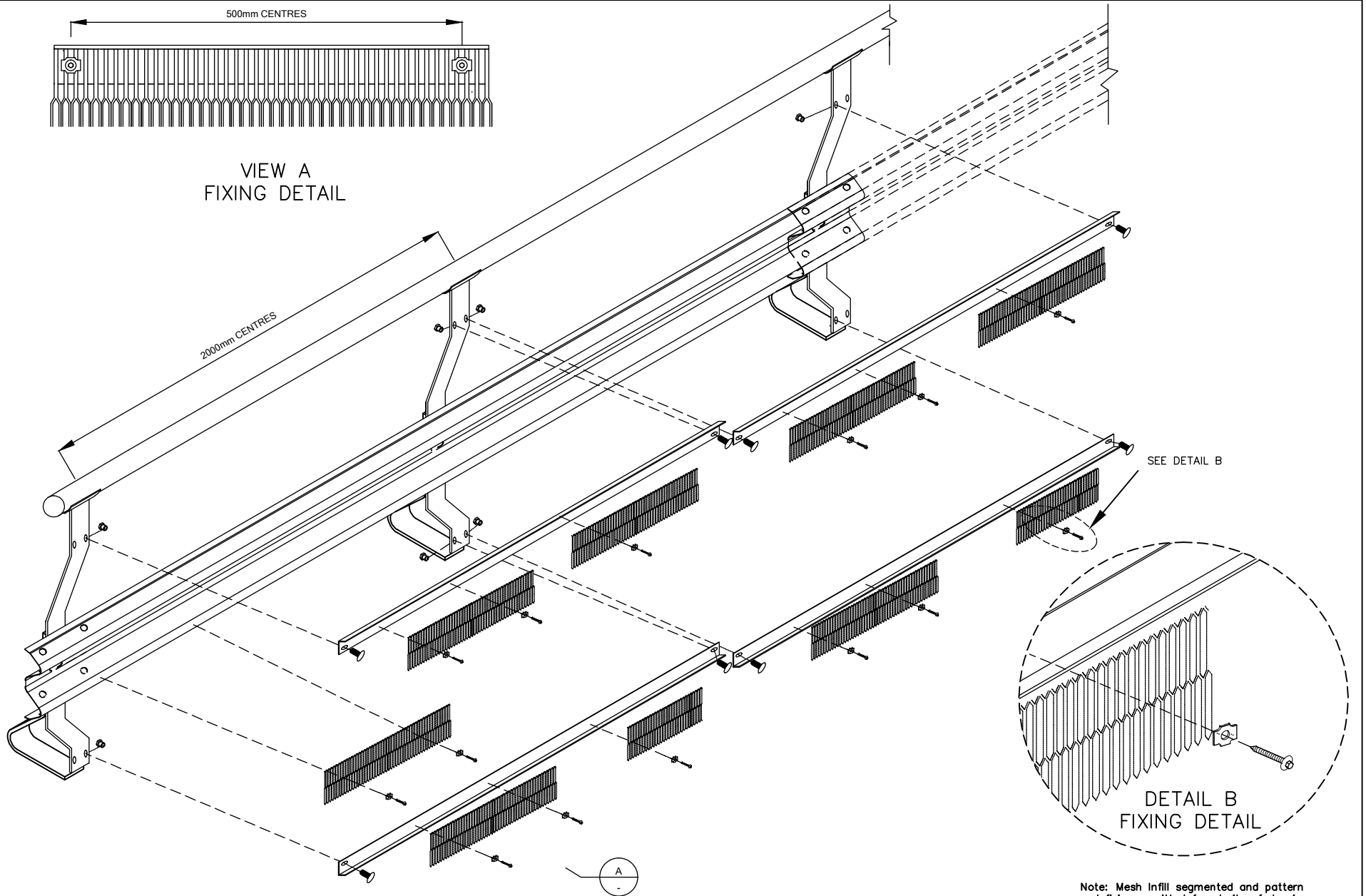


VIEW A
FIXING DETAIL



DETAIL B
FIXING DETAIL

Note: Mesh Infill segmented and pattern and fixings omitted for clarity of drawings.

CAD FILE - STB-33.DWG 09/03/09

| Rev. | Description | Chkd | Date |
|------|---------------|------|----------|
| 0 | INITIAL ISSUE | M.S | 09/03/09 |
| | | | |
| | | | |
| | | | |
| | | | |

INGAL Civil Products
 57-65 Airds Road, Minto, NSW, 2566 Australia
 Telephone 61-2-9827 3333, Facsimile 61-2-9827 3300, Internet www.ingalcivil.com.au
 c Industrial Galvanizers Corporation Pty Ltd ACN 000 545 415 (2005)
 This drawing is the subject of COPYRIGHT. No part of it may be used, reproduced or copied by any means or in any form without the prior permission of the owner.

| | |
|---------|--|
| PROJECT | CLASSIC SPRING STEEL BUFFA WITH HANDRAIL AND ANTI-CLIMB MESH |
| TITLE | INSTALLATION DETAILS |

| | | |
|----------|----------|---------------------------------------|
| DATE | 09/03/09 | INGAL CIVIL PRODUCTS REFERENCE No. |
| DRAWN | MS | |
| DESIGNED | ICP | DRAWING No. STB-033 |
| CHECKED | T.C. | |
| MATERIAL | AS SHOWN | |
| FINISH | AS SHOWN | |
| SCALE | NTS | REV.0 |