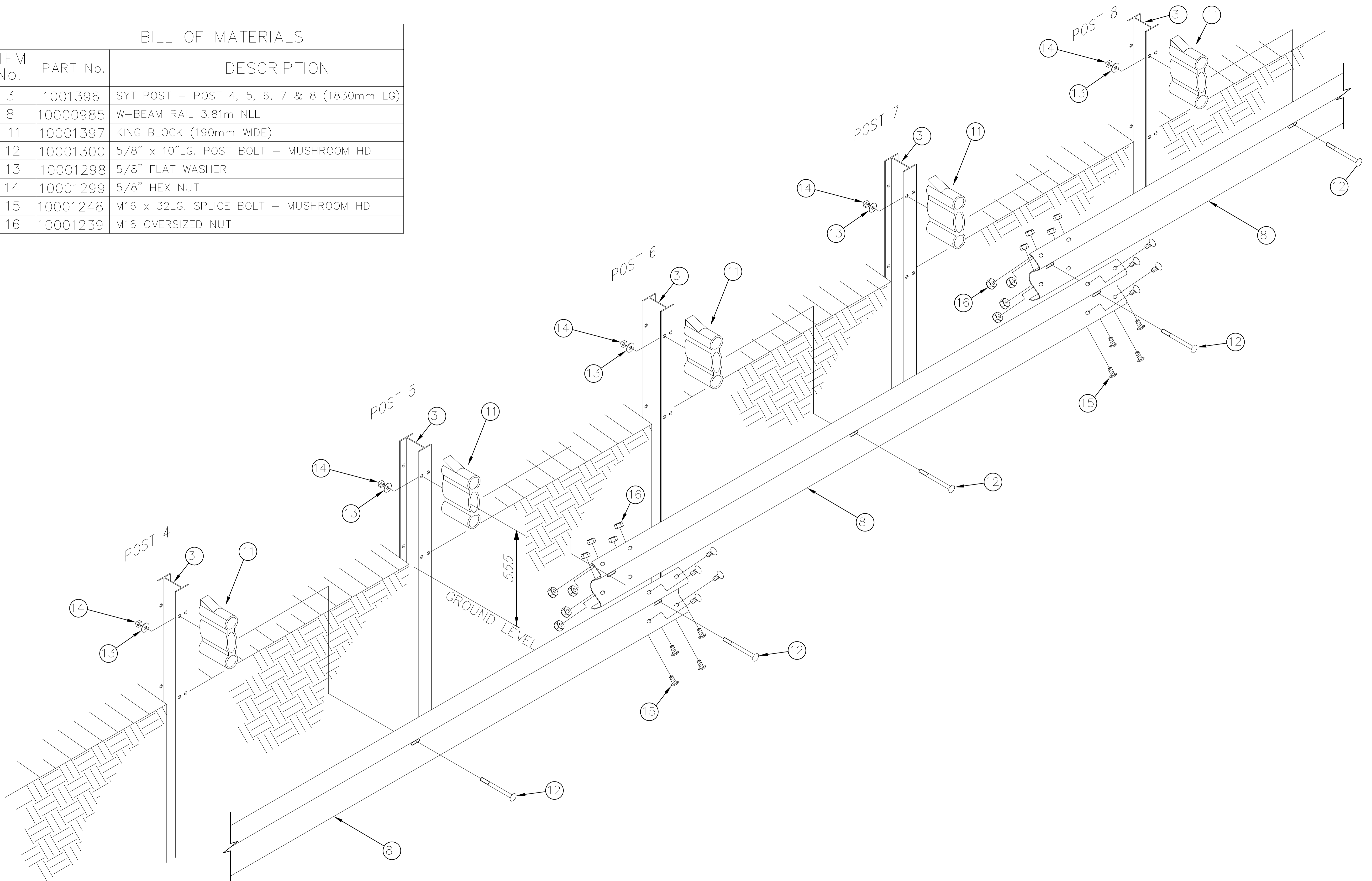


BILL OF MATERIALS		
ITEM No.	PART No.	DESCRIPTION
3	1001396	SYT POST – POST 4, 5, 6, 7 & 8 (1830mm LG)
8	10000985	W-BEAM RAIL 3.81m NLL
11	10001397	KING BLOCK (190mm WIDE)
12	10001300	5/8" x 10"LG. POST BOLT – MUSHROOM HD
13	10001298	5/8" FLAT WASHER
14	10001299	5/8" HEX NUT
15	10001248	M16 x 32LG. SPLICE BOLT – MUSHROOM HD
16	10001239	M16 OVERSIZED NUT



REV	DATE	DESCRIPTION	DRAWN	CHECKED	APPROVED
D	11/10/11	TITLE BLOCK UPDATED	DJB	TC	TC
C	24/02/09	TITLE BLOCK UPDATED	MS	TC	TC
B	19/05/04	ITEM 11 CHANGED	IJ	BF	GPP
A	22/03/04	BILL OF MATERIALS AMENDED	IJ	BF	GPP
0	10/02/04	INITIAL ISSUE	BF	IJ	GPP

DRAWING NUMBER	REFERENCE DRAWINGS

	NAME	DATE
DRAWN	AUSTEC	11/10/2011
CHECKED	TC	11/10/2011
APPROVED	TC	11/10/2011
SCALE	NTS	
SIZE	A1	

**INGAL CIVIL PRODUCTS**  
 57-65 AIRDS ROAD  
 MINTO, N.S.W  
 AUSTRALIA 2566  
 PH. +61 2 9827 3333  
 FAX +61 2 9827 3300  
 www.ingalcivil.com.au

**INGAL CIVIL PRODUCTS**  
 PROJECTS  
 TRADE TALK

DRAWING AND CONTENTS ARE COPYRIGHT TO  
 INGAL CIVIL PRODUCTS AND CAN ONLY BE USED  
 WITH PRIOR WRITTEN CONSENT FROM INGAL CIVIL  
 PRODUCTS

PROJECT	TITLE
ET2000 PLUS NCHRP 350 TEST LEVEL 3	ISOMETRIC ASSEMBLY POSTS 4, 5, 6, 7 & 8

INGAL CIVIL PRODUCTS REFERENCE No.	DRAWING No.
	CAB-STD-64