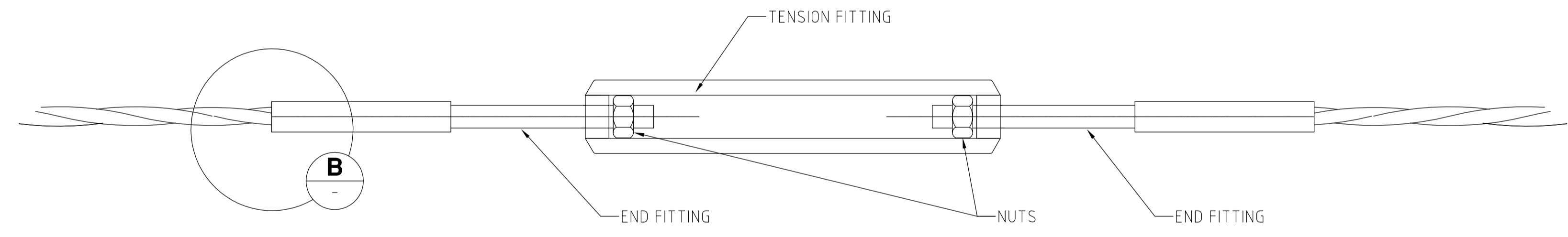
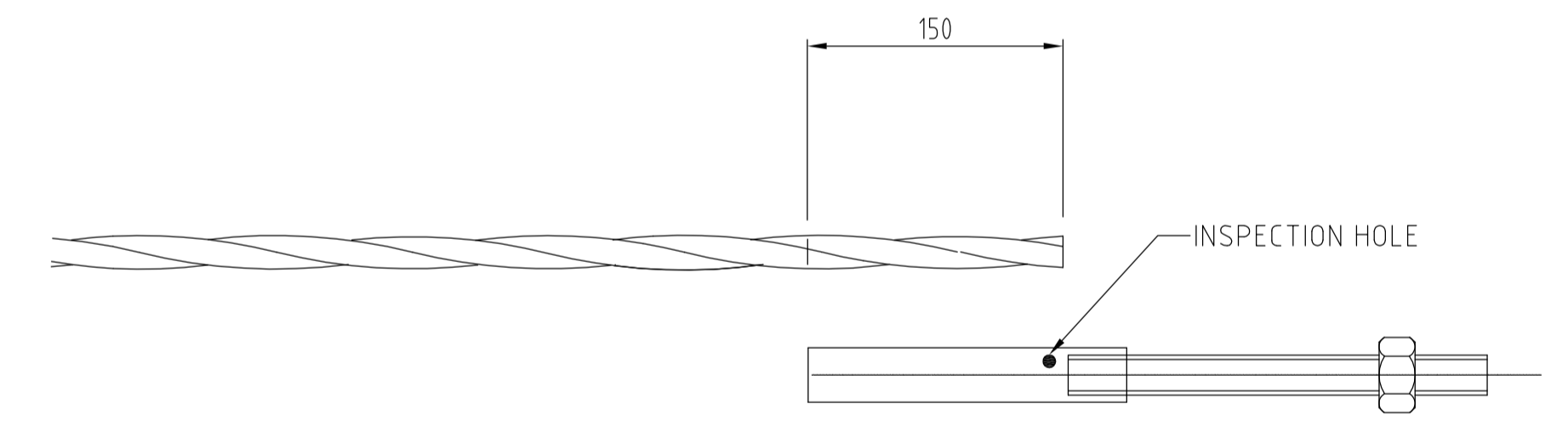


**TENSION PANEL LAYOUT**



**DETAIL A**  
NTS



**DETAIL B**  
NTS

REV	DATE	DESCRIPTION	DRAWN	CHECKED	APPROVED
3	02/11/11	TITLE BLOCK UPDATED	DJB	TC	TC
2	25/02/10	TITLE BLOCK UPDATED	MS	TC	TC
1	13/07/06	INITIAL ISSUE	AJP	TC	TC

DRAWING NUMBER	REFERENCE DRAWINGS

	NAME	DATE
DRAWN	AUSTEC	2/11/2011
CHECKED	TC	2/11/2011
APPROVED	TC	2/11/2011
SCALE	NTS	
SIZE	A1	

INGAL CIVIL PRODUCTS  
57-65 AIRDS ROAD  
MINTO, N.S.W  
AUSTRALIA 2566  
PH. +61 2 9827 3333  
FAX +61 2 9827 3300  
www.ingalcivil.com.au

DRAWING AND CONTENTS ARE COPYRIGHT TO  
INGAL CIVIL PRODUCTS AND CAN ONLY BE USED  
WITH PRIOR WRITTEN CONSENT FROM INGAL CIVIL  
PRODUCTS

PROJECT FLEXFENCE WIRE ROPE SAFETY BARRIER	TITLE TENSION PANEL ARRANGEMENT
---	------------------------------------

INGAL CIVIL PRODUCTS REFERENCE No.	DRAWING No. WR-STD-59
---------------------------------------	--------------------------