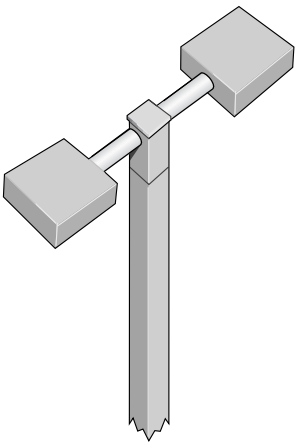
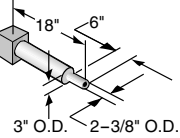
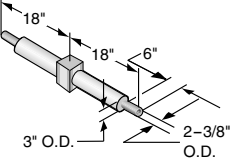
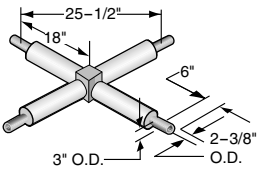
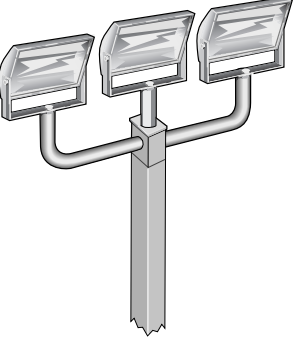
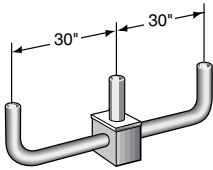
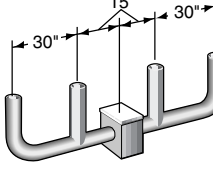
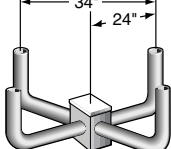
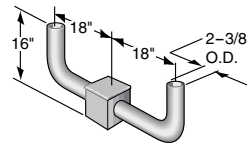


Tenon loading is calculated for weights based on a 100 M.P.H. constant wind with a 1.3 gust factor located 30' above grade. When loading requirements exceed these limits contact your Valmont representative or Valmont Industries, Inc.

- 2-3/8" O.D. tenons - other sizes available upon request.
- Bracket flush mount on 4", 5" and 6" square poles.

ILLUSTRATION	DIMENSIONS	DESCRIPTION	MODEL NUMBER	EPA OF BRACKET	MAX WEIGHT LOAD PER TENON	MAX EPA LOAD PER TENON
		Single Arm Square Horizontal Mount	1HT90Q	.3	100 LBS.	6.0
		Double Arm Square Horizontal Mount 180°	2HT180Q	.6	100 LBS.	6.0
		Quad Arm Square Horizontal Mount	4HT90Q	.71	100 LBS.	6.0
		2-Tenon Straight Square Vertical Mount	3B180Q	1.50	100 LBS.	6.0
		4-Tenon Straight Square Vertical Mount	4B180Q	2.25	75 LBS.	4.0
		4-Tenon "Spider" Square Vertical Mount	4B190Q	1.7	100 LBS.	6.0
		Twin Bullhorn Square	2B180Q	.80	100 LBS.	5.3

Variations from sizes listed above are available upon inquiry at the factory.