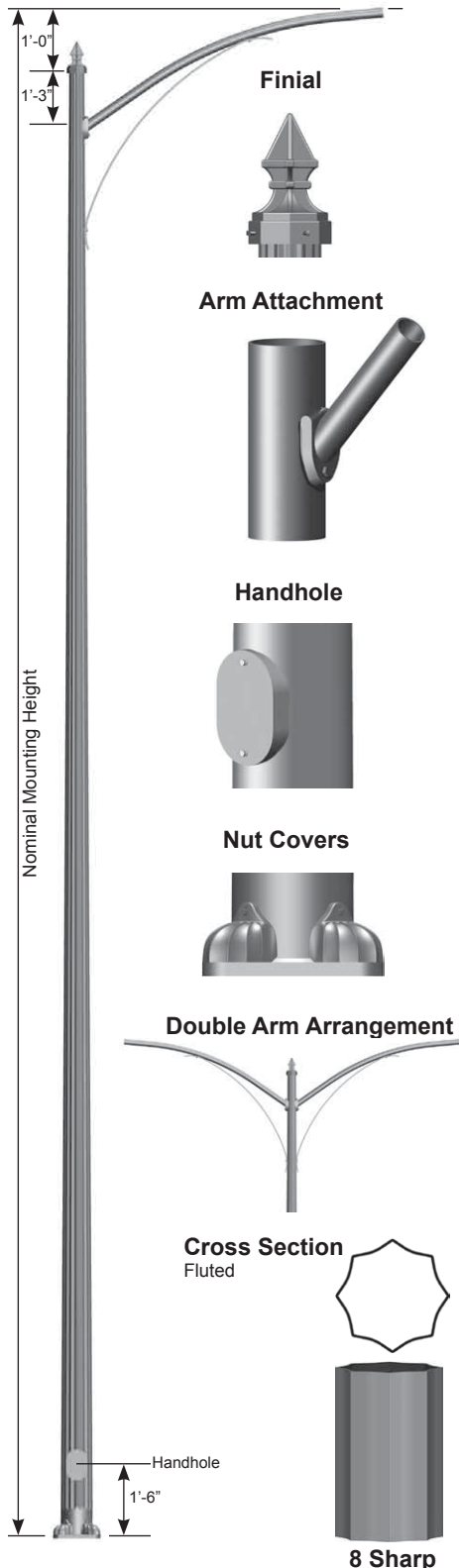


Job Name: _____	Client Name: _____
Job Location - City: _____ State: _____	Created By: _____ Date: _____
Product: _____ Quote: _____	Customer Approval: _____ Date: _____



SPECIFICATIONS

Pole - The pole shaft conforms to ASTM A595 Grade A or A572 Grade 55 with a constant linear taper of 0.14 in/ft.

Fluting Process - The tapered shafts are cold rolled over a precision hardened steel mandrel to form the desired flute shape. The flutes are uniform and equally spaced throughout the process. The termination of the flutes is no greater than 1.50" radii transition into the round section of the shaft. The results of this fluting process are flutes with architecturally pleasing radiused terminations and crisp uniform flutes.

Linear Flute Layout - Flutes start and stop to ensure decorative nut covers and anchor base connection fits a smooth round diameter. Flute start and stop locations should be specified.

Finial - A decorative spear finial with hardware is provided.

Luminaire Arm - Luminaire arms are made from 2" schedule 40 pipe (2.38" OD) with a minimum yield strength of 36,000 psi. Double luminaire arms are oriented 180° apart. For other orientations and scroll options please consult factory.

Luminaire Arm Attachment - Connection allows arm to be erected and held in place by gravity and secured by a single bolt.

Handhole - A covered handhole and grounding provision with hardware is provided.

Nut Covers - Decorative anchor bolt nut covers with hardware are provided.

Base Cover - Optional decorative base covers available as special order.

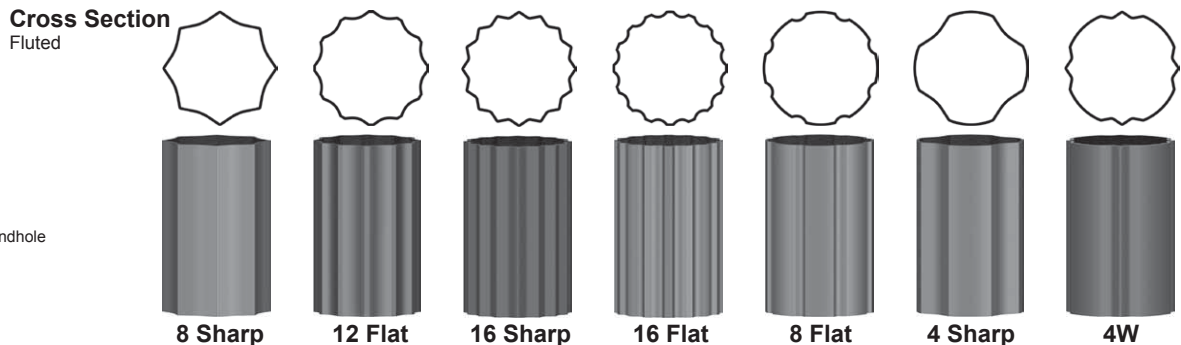
Anchor Base - The anchor base (base plate) conforms to ASTM A36.

Anchor Bolts - Anchor bolts conform to ASTM F1554 Grade 55 and are provided with two hex nuts and two flat washers. Bolts have an "L" bend on one end and are galvanized or zinc-plated carbon steel or stainless steel.

Hardware - All structural fasteners are galvanized high strength carbon steel. All non-structural fasteners are galvanized or zinc-plated carbon steel or stainless steel.

Finish - Standard finishes are galvanized, prime painted or any of Valmont's V-PRO™ Protection Systems. Additional finish options available upon request.

Design Criteria - Please reference Design Criteria Specification for appropriate design conditions.

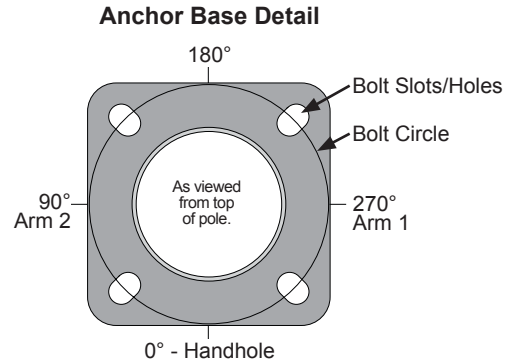


ROUND TAPERED STEEL Fluted FL30

Job Name: _____	Client Name: _____
Job Location - City: _____ State: _____	Created By: _____ Date: _____
Product: _____ Quote: _____	Customer Approval: _____ Date: _____

ANCHORAGE DATA

POLE		BASE PLATE				ANCHOR BOLTS		
BASE OD (IN)	WALL THK (GA)	BOLT CIRCLE		SQUARE (IN)	THK (IN)	DIA x LENGTH x HOOK (IN)	PROJECTION (IN)	± (IN)
		DIA (IN)	± (IN)					
6.72	11	10.00	0.50	11.00	0.875	1.00 x 36.00 x 4.00	4.13	0.25
7.30	11	10.50	0.50	11.25	0.875	1.00 x 36.00 x 4.00	4.13	0.25
8.00	11	11.00	0.50	11.75	0.875	1.00 x 36.00 x 4.00	4.13	0.25
8.45	11	11.50	0.50	12.00	1.000	1.00 x 36.00 x 4.00	4.25	0.25
9.00	11	12.50	0.50	12.50	1.000	1.00 x 36.00 x 4.00	4.25	0.25
9.00	7	12.50	0.50	13.50	1.250	1.25 x 42.00 x 6.00	5.00	0.25



LOAD AND DIMENSIONAL DATA

NOMINAL MOUNTING HEIGHT	QUANTITY OF ARMS	MAX ARM LENGTH (FT)	DESIGN INFORMATION		POLE DIMENSIONS					MODEL NUMBER
			100 MPH w/1.3 GUST	MAX LUMINAIRE EPA ¹ (SQFT)	MAX LUMINAIRE WEIGHT ² (LBS)	BASE OD (IN)	TOP OD (IN)	WALL THK (GA)	STRUCTURE WEIGHT ² (LBS)	
21'-0"	Single	8	2.0	75	6.72	3.92	11	215	672A200	
	Double	8	2.0	75	6.72	3.92	11	245	672A200	
26'-0"	Single	8	2.0	75	7.30	3.80	11	235	730A260	
	Double	8	2.0	75	7.30	3.80	11	270	730A260	
31'-0"	Single	8	2.0	75	8.00	3.80	11	315	800A300	
	Double	8	2.0	75	8.00	3.80	11	345	800A300	
36'-0"	Single	8	2.0	75	8.45	3.55	11	330	845A350	
	Double	8	2.0	75	9.00	4.10	7	560	900E350	
40'-0"	Single	8	2.0	75	9.00	3.54	11	525	900A390	
	Double	8	2.0	75	9.00	3.58	7	585	900E389	

- EPA represents the Effective Projected Area of each luminaire. Designs are limited to one luminaire per arm. Variations from sizes above are available upon inquiry at the factory. Satisfactory performance of poles is dependent upon the pole being properly attached to a supporting foundation of adequate design.
- Structure Weight is a nominal value which includes the pole, base plate and luminaire arm(s) only.

PRODUCT ORDERING CODES

DESIGN SERIES	CROSS SECTION	MODEL NUMBER	FIXTURE MOUNTING	FINISH	COLOR	V-PRO™ PROTECTION SYSTEM	OPTIONS
FL30	A = 8 Sharp C = 12 Flat D = 16 Sharp E = 16 Flat F = 8 Flat G = 4 Sharp W = 4W	672A200 730A260 800A300 845A350 900E350 900A390 900E389	4S = 4' Single 4D = 4' Double 6S = 6' Single 6D = 6' Double 8S = 8' Single 8D = 8' Double	GV = Galvanize PP = Prime Paint FP = Finish Paint GF = Galvanized + Finish Paint	-- = Galvanize -- = Prime Paint WH = White ST = Sandstone BK = Black SM = Silver Metallic SL = Silver LG = Light Gray SG = Slate Gray DT = Dark Tan MB = Medium Bronze CB = Bronze DB = Dark Bronze BN = Brown HG = Hunter Green DG = Dark Green RD = Red SC = Special Color (Contact Factory)	-- = Galvanize -- = Prime Paint V1 = V-PRO 1 Basic 1 Coat Powder. V2 = V-PRO 2 2 Coat Powder or Liquid. Includes epoxy primer & top coat. V3 = V-PRO 3 2 Coat Powder or Liquid. Includes zinc primer & top coat. V4 = V-PRO 4 2 Coat Powder or Liquid. Includes zinc primer & premium top coat.	See Accessories at valmontstructures.com (Please Specify)