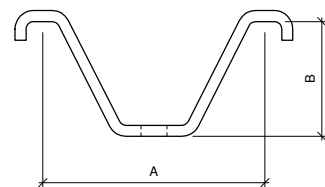
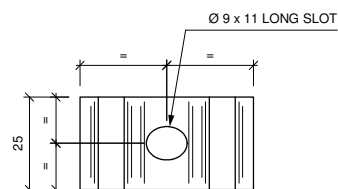


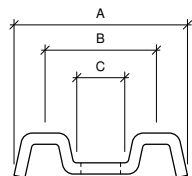
WEBFORGE PART				
CODE	A	B	C	GRATING
C117	40	19	7	
C118	40	19	10	
C119	40	24	7	
C120	40	24	10	
C121	40	31	7	
C122	40	31	10	
C107	60	19	7	F205
C110	60	19	10	F205
C108	60	24	7	F255
C109	60	24	10	F255
C102	60	31	7	F325
C101	60	31	10	F325
SUNDRY	60	39	7	F405
C123	60	64	10	F655



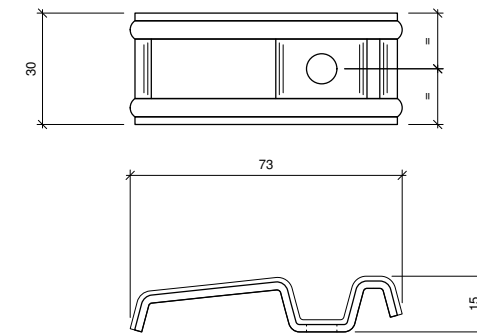
MATERIAL :
MILD STEEL
OR 316 STAINLESS STEEL



WEBFORGE PART			
CODE	A	B	C
C104	47	30	13
C105	57	40	23
C106	77	60	43

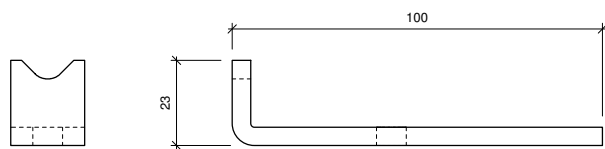
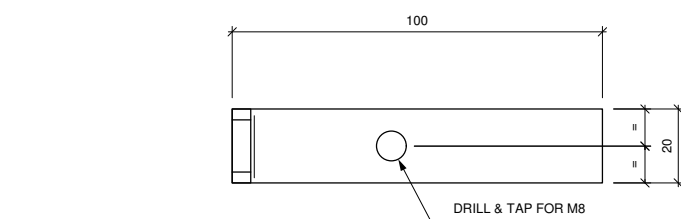


MATERIAL :
316 STAINLESS STEEL



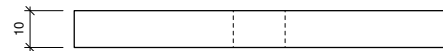
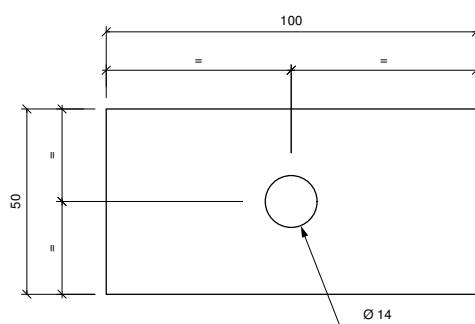
MATERIAL :
HOT ROLLED PICKLED COIL AS1594/HU1, OILED FINISH
OR 316 STAINLESS STEEL

WEBFORGE PART CODE: C100



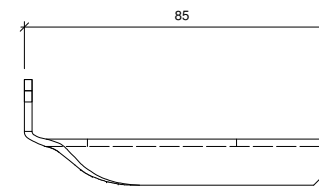
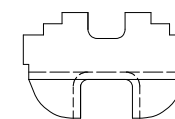
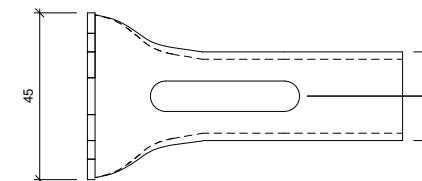
MATERIAL :
MILD STEEL

WEBFORGE PART CODE: C210



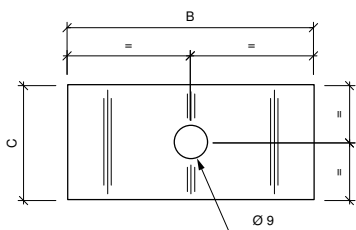
MATERIAL :
MILD STEEL

WEBFORGE PART CODE: C103

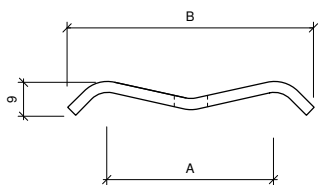


MATERIAL :
MILD STEEL
OR 316 STAINLESS STEEL

WEBFORGE PART CODE: C200



WEBFORGE CODE			
TYPE	A	B	C
C150	30	52	25
C151	45	67	31
C152	22	44	20



MATERIAL :
MILD STEEL

EXPANDED METAL CLIPS

FOR GENERAL RELEASE

2	EXPANDED METAL CLIP ADDED	JN	19/03/14
1	CHANGE TABLE DATA	MR	01/08/07
0	RE-NUMBERED FROM STD-055r0	TW	19/5/05
REV	PARTICULARS	BY	DATE

WEBFORGE (WA)
24 TENNANT STREET, WELLSPOOL
WESTERN AUSTRALIA
A.C.N. 009 419 756
Phone (08) 9362 8933 Fax (08) 9362 7057

CLIENT:
JOB: STANDARD FIXING CLIPS
DETAIL: STEEL / ALUMINIUM GRATING & EXPANDED METAL

WEBFORGE GRID TYPE	SURFACE TREATMENT	REON No.	STD-050/0
DRAWN TAW	CHK	CUST. O.N.	DRAWING No.
DATE 3/9/04	JOB No.	STD-050	REV. 2