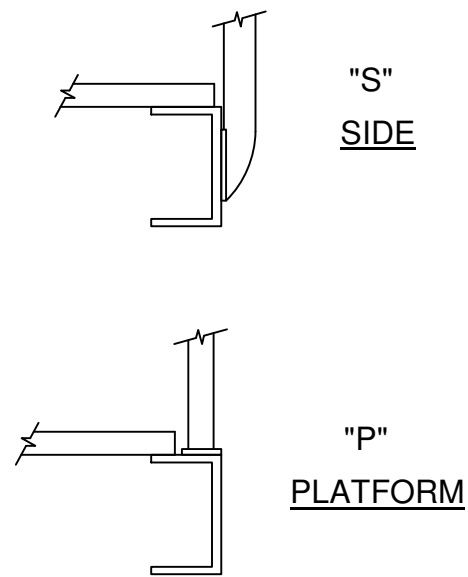


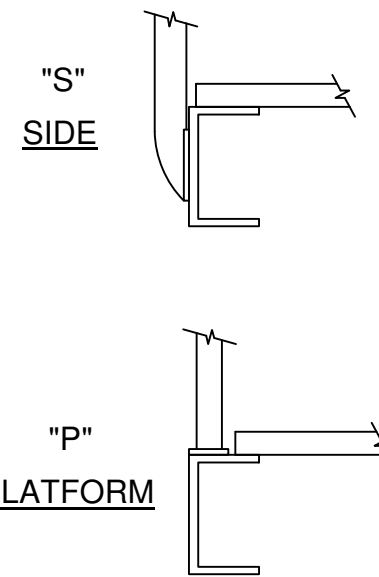
ELEVATION - SELF CLOSING GATE

DETAIL 1



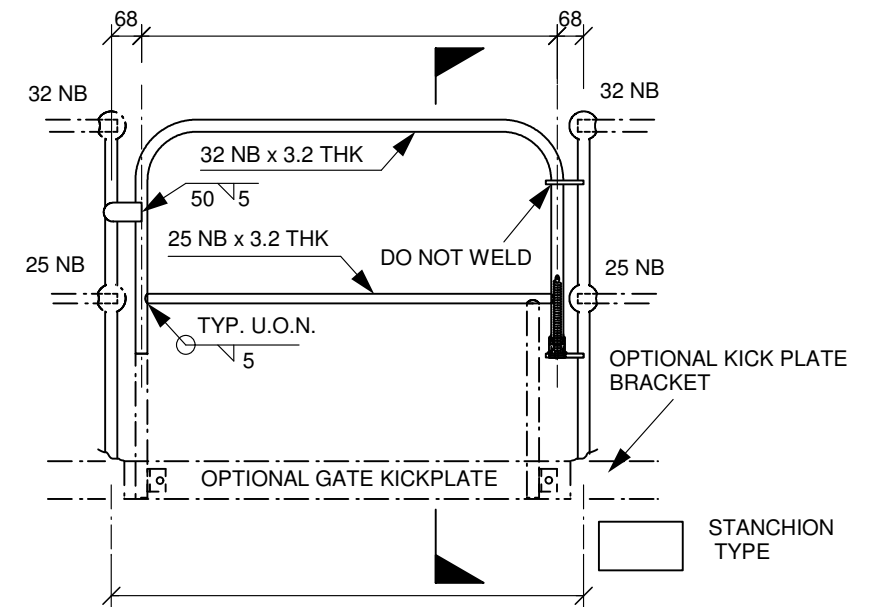
"S"
SIDE

"P"
PLATFORM



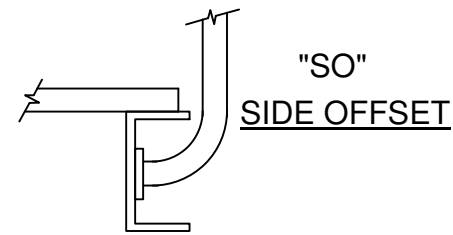
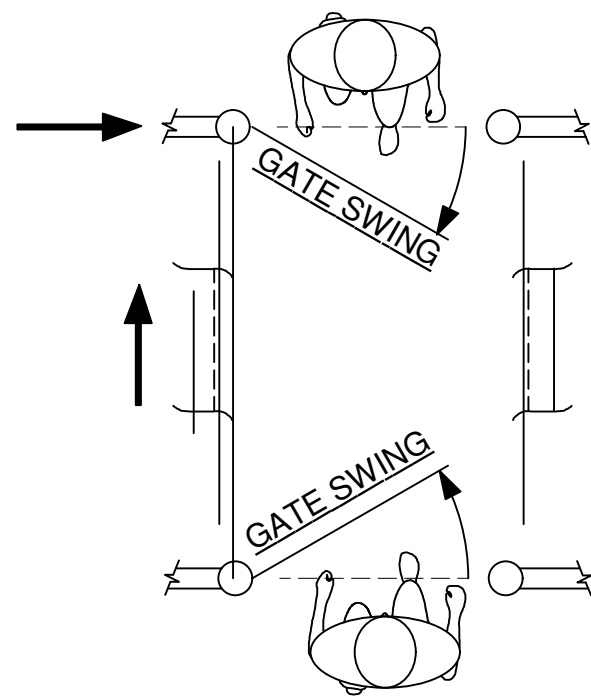
"S"
SIDE

"P"
PLATFORM

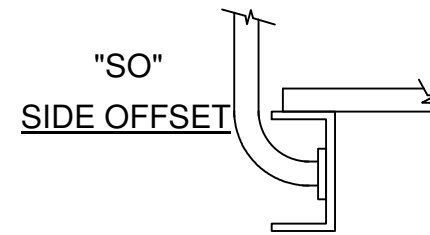


ELEVATION - SELF CLOSING GATE

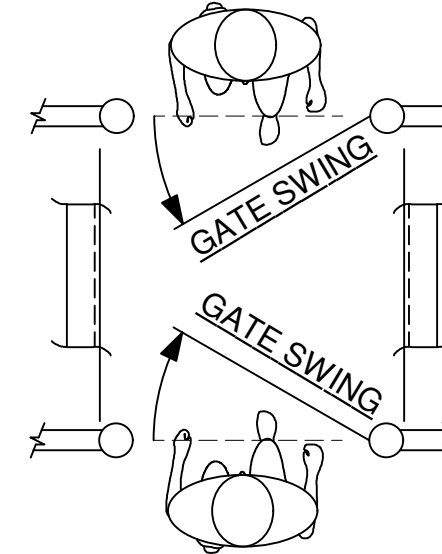
DETAIL 2



"SO"
SIDE OFFSET



"SO"
SIDE OFFSET



NOTE :

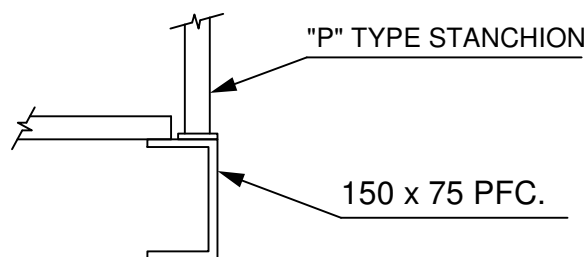
WHEN PLACING ORDER FOR GATES

PLEASE NOMINATE :

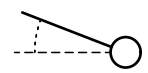
(1) TYPE OF STANCHION REQ'D.

(2) DIRECTION & TYPE OF STEEL.

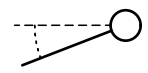
EXAMPLE



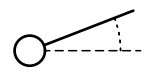
FOR GENERAL RELEASE



NW SWING



RIGHT HAND SPRING
SW SWING



RIGHT HAND SPRING
NE SWING



SE SWING

TOP VIEW

1	Swings added. Kpl bkts corrected	JN	19/3/14
0	RE-NUMBERED FROM WF-0026r2	PA	23/5/05
REV	PARTICULARS	BY	DATE



WEBFORGE (WA)

24 TENNANT STREET, WELSHPOOL
WESTERN AUSTRALIA
A.C.N. 009 419 756
Phone (08) 9361 8933 Fax (08) 9361 7057

CLIENT:			
JOB: STANDARD SELF CLOSING GATE DETAILS			
DETAIL: DIRECTION & MOUNTING			
WEBFORGE GRID TYPE	SURFACE TREATMENT	REQ'N No. STD - 106/0	
DRAWN PNA	CHK	CUST. O/N.	DRAWING No. STD - 106
DATE 9/6/97	JOB No.		REV. 1