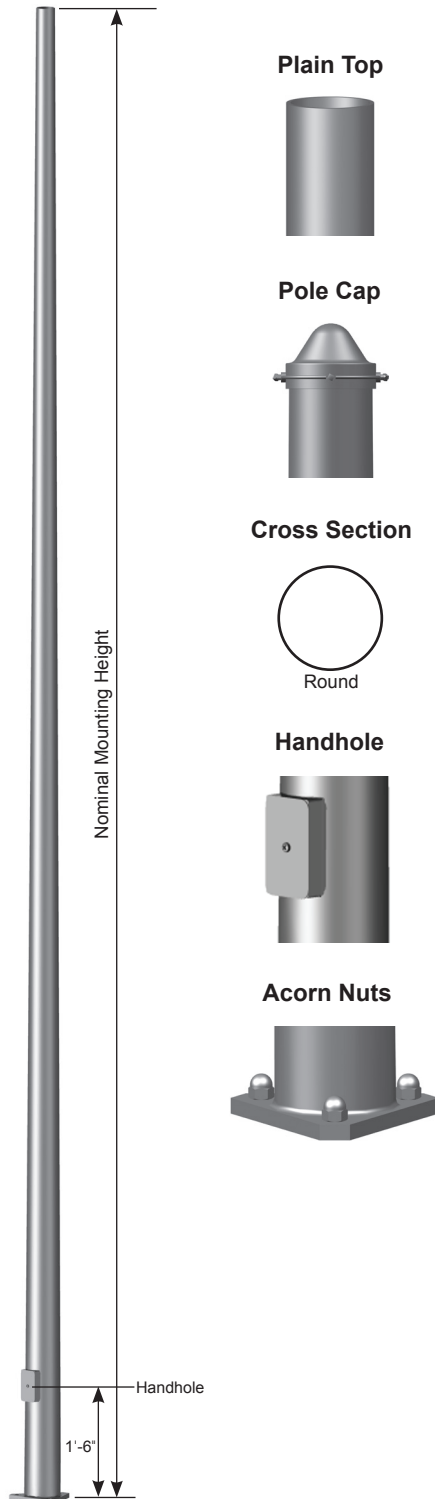


Job Name: _____	Client Name: _____
Job Location - City: _____ State: _____	Created By: _____ Date: _____
Product: _____ Quote: _____	Customer Approval: _____ Date: _____

SPECIFICATIONS



Pole - The pole shaft conforms to ASTM A595 Grade A with a constant linear taper of 0.14 in/ft.

Pole Top - The pole top is held to a 3.00" OD (± 0.13 ") for external top mount luminaire and/or bracket. For internal top mount luminaire please consult factory. A removable pole cap is provided for poles receiving drilling patterns for side-mount luminaire arm assemblies.

Handhole - A covered handhole and grounding provision with hardware is provided.

Anchor Base - The anchor base (base plate) conforms to ASTM A36.

Anchor Bolts - Anchor bolts conform to ASTM F1554 Grade 55 and are provided with one hex nut, one acorn nut and two flat washers. Bolts have an "L" bend on one end and are galvanized a minimum of 12" on the threaded end.

Hardware - All structural fasteners are galvanized high strength carbon steel. All non-structural fasteners are galvanized or zinc-plated carbon steel or stainless steel.

Finish - Standard finishes are galvanized, prime painted or any of Valmont's V-PRO™ Protection Systems. Additional finish options available upon request.

Design Criteria - Please reference Design Criteria Specification for appropriate design conditions.

ROUND TAPERED STEEL DS200

3-Bolt Anchor Base

Job Name: _____	Client Name: _____
Job Location - City: _____ State: _____	Created By: _____ Date: _____
Product: _____ Quote: _____	Customer Approval: _____ Date: _____

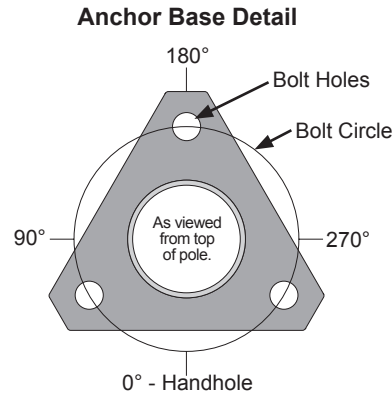
DESIGNATION, LOAD AND DIMENSIONAL DATA

NOMINAL MOUNTING HEIGHT	DESIGN INFORMATION						POLE DIMENSIONS				DESIGNATION
	80 MPH w/1.3 GUST		90 MPH w/1.3 GUST		100 MPH w/1.3 GUST		BASE OD (IN)	TOP OD (IN)	WALL THK (GA)	STRUCTURE WEIGHT ² (LBS)	
	MAX EPA ¹ (SQFT)	MAX WEIGHT ¹ (LBS)	MAX EPA ¹ (SQFT)	MAX WEIGHT ¹ (LBS)	MAX EPA ¹ (SQFT)	MAX WEIGHT ¹ (LBS)					
10'-0"	11.6	125	8.9	125	7.0	125	4.40	3.00	11	60	440A100
12'-0"	11.8	125	9.0	125	7.1	125	4.68	3.00	11	70	468A120
14'-0"	11.4	125	8.7	125	6.8	125	4.96	3.00	11	80	496A140
16'-0"	10.0	125	7.6	125	5.9	125	5.24	3.00	11	95	524A160
18'-0"	8.9	125	6.7	125	5.2	125	5.52	3.00	11	110	552A180
20'-0"	7.5	125	5.5	125	4.2	125	5.80	3.00	11	125	580A200

- Maximum weight and EPA values are based on top mounted luminaires and/or brackets having a centroid 2'-0" above the nominal mounting height.
- Structure weight is a nominal value which includes the pole shaft and base plate only.

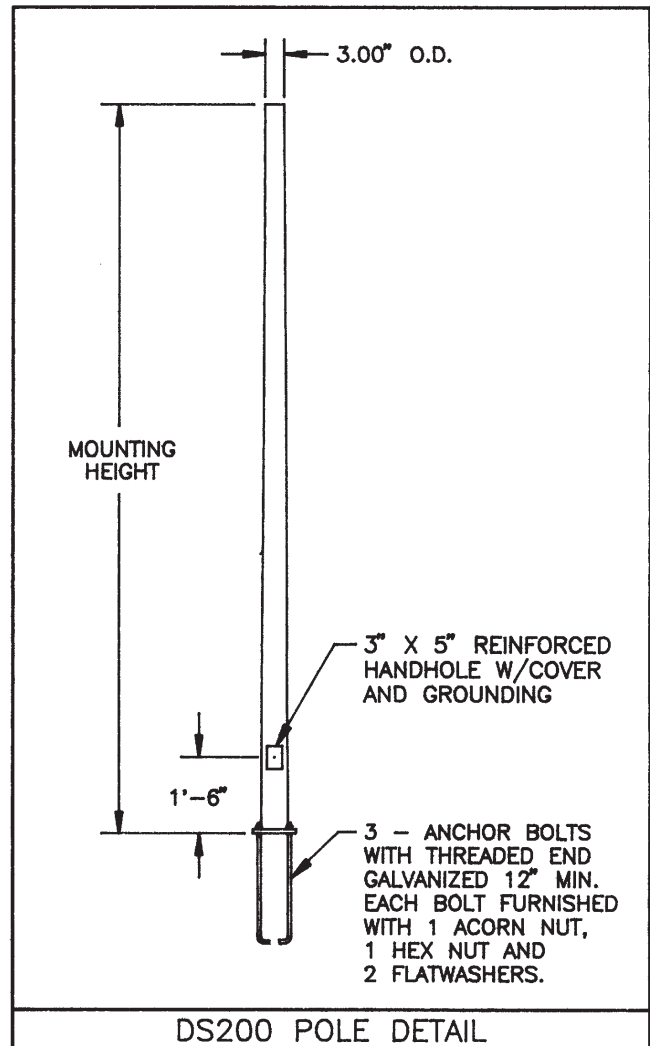
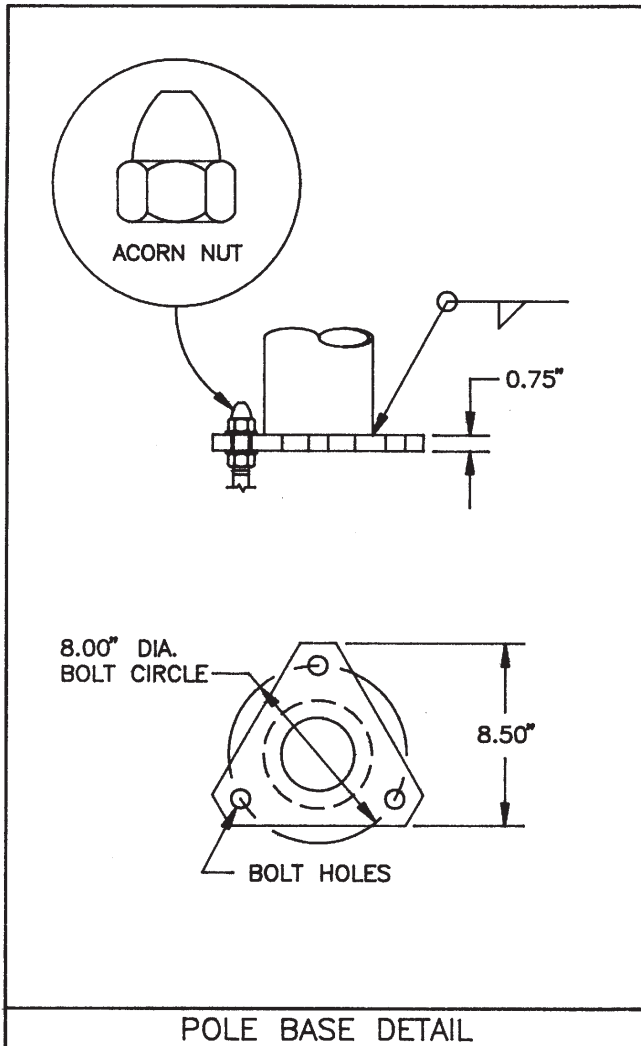
ANCHORAGE DATA

POLE BASE OD (IN)	BASE PLATE				ANCHOR BOLTS		
	BOLT CIRCLE		WIDTH (IN)	THK (IN)	DIA x LENGTH x HOOK (IN)	PROJECTION (IN)	± (IN)
DIA (IN)	± (IN)	DIA (IN)					
4.40	8.00	N/A	8.50	0.750	0.75 x 17.00 x 3.00	3.50	0.25
4.68	8.00	N/A	8.50	0.750	0.75 x 17.00 x 3.00	3.50	0.25
4.96	8.00	N/A	8.50	0.750	0.75 x 17.00 x 3.00	3.50	0.25
5.24	8.00	N/A	8.50	0.750	0.75 x 17.00 x 3.00	3.50	0.25
5.52	8.00	N/A	8.50	0.750	0.75 x 17.00 x 3.00	3.50	0.25
5.80	8.00	N/A	8.50	0.750	0.75 x 17.00 x 3.00	3.50	0.25



PRODUCT ORDERING CODE

MODEL	DESIGNATION	FIXTURE MOUNTING	FINISH SYSTEM	STANDARD COLOR OPTIONS	BASE COVER	ANCHOR BOLTS	SUPPLEMENTAL INFO
DS200	Select Correct Designation from the Load and Dimensional Data Chart.	Drill Mounting (See Orientation) D1 = (1) Drilling @ 270° D2 = (2) Drillings @ 90° & 270° D3 = (3) Drillings @ 60°, 180°, & 300° D4 = (4) Drillings @ 0°, 90°, 180°, & 270° D5 = (2) Drillings @ 180° & 270° D6 = (3) Drillings @ 90°, 180°, & 270° Tenon Mounting P2 = 2.38" OD x 4" tenon P4 = 4.00" OD x 6" tenon P5 = 2.88" OD x 4" tenon P6 = 2.88" OD x 5" tenon P7 = 2.38" OD x 5" tenon P9 = Special Size (Specify) Other Options PC = Pole Cap PL = Plain Top (No Cap)	GV = Galvanized FP = Finish Painted -----OPTIONAL----- FPGV = Finish Paint over Galvanizing VP30 = V-PRO™ 30 System VP32 = V-PRO™ 32 System VP53 = V-PRO™ 53 System VP54 = V-PRO™ 54 System VP57 = V-PRO™ 57 System VP100 = V-PRO™ 100 System VP105 = V-PRO™ 105 System	GV = Galvanized BK = Black DB = Dark Bronze MB = Medium Bronze WH = White LG = Light Gray CB = Bronze DG = Dark Green ST = Sandstone HG = Hunter Green SG = Slate Gray SL = Silver SC = Special Color (Specify)	NA = None -----OPTIONAL----- FBC = Full Base Cover 2T = Square Dart Cover	AB = With Anchor Bolts LAB = Without Anchor Bolts	



SPC7208 02/17 valmontstructures.com carries the most current spec information and supersedes these guidelines.