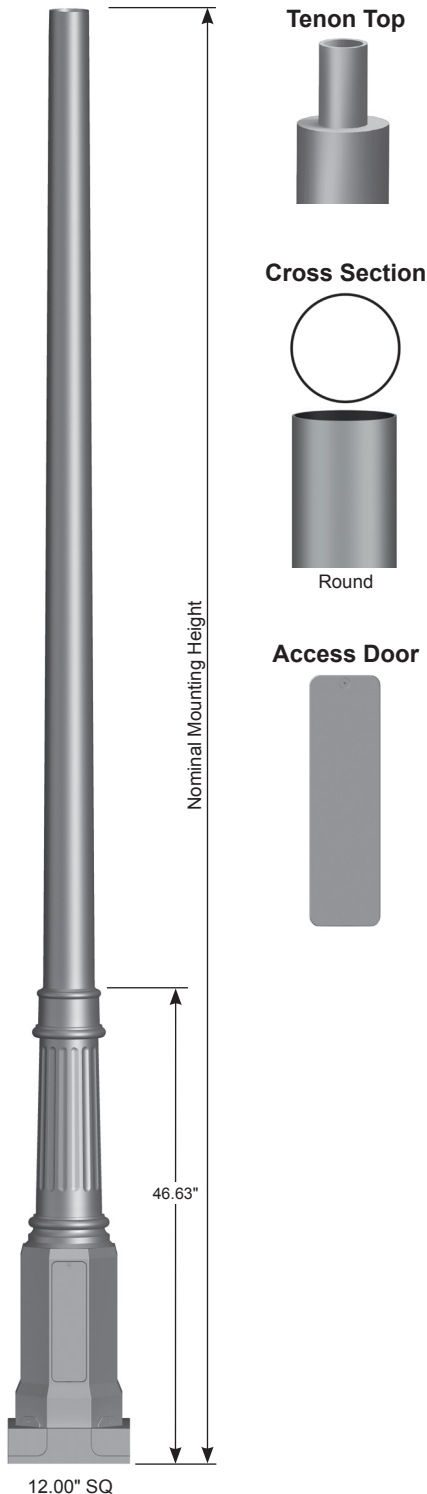


Job Name: _____	Client Name: _____
Job Location - City: _____ State: _____	Created By: _____ Date: _____
Product: WL12ASR -- Quote: _____	Customer Approval: _____ Date: _____

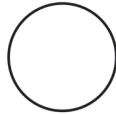
## SPECIFICATIONS



**Tenon Top**



**Cross Section**



Round

**Access Door**



**Post** - The post shaft is either spun or extruded from 6000 series alloy aluminum.

**Post Top** - A post top plate and tenon can be provided for top mount luminaire and/or bracket. A removable finial is provided for posts receiving drilling patterns for side-mount luminaire arm assemblies.

**Structural Base** - The structural base is cast from 356 alloy aluminum and provided with a 3.00" wide X 11.50" tall access door. A grounding provision is provided. The post shaft is inserted and welded into the structural base casting. The completed assembly is heat-treated to a T6 temper after the structural welding is completed.

**Anchor Bolts** - Anchor bolts conform to ASTM F1554 Grade 55 and are provided with two hex nuts and two flat washers. Bolts have an "L" bend on one end and are galvanized a minimum of 12" on the threaded end.

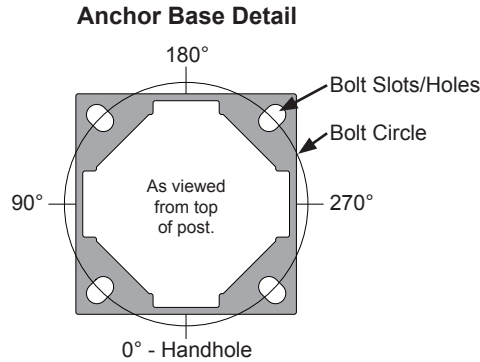
**Finish** - The standard finish for the post assembly and components is polyester powder applied coating in accordance with Valmont Industries' Specifications. Additional finish options available upon request.

# WILLIAMSBURG Round Tapered/Non-Tapered Aluminum Post

Job Name: _____	Client Name: _____
Job Location - City: _____ State: _____	Created By: _____ Date: _____
Product: WL12ASR -- Quote: _____	Customer Approval: _____ Date: _____

## ANCHORAGE DATA

STRUCTURAL BASE				ANCHOR BOLTS		
BOLT CIRCLE		SQUARE (IN)	THK (IN)	DIA x LENGTH x HOOK (IN)	PROJECTION (IN)	± (IN)
DIA (IN)	± (IN)					
13.125	0.50	12.00	0.750	0.75 x 17.00 x 3.00	3.50	0.25



## LOAD AND DIMENSIONAL DATA

NOMINAL MOUNTING HEIGHT	DESIGN INFORMATION						POST DIMENSIONS				MODEL NUMBER
	80 MPH w/1.3 GUST <sup>1</sup>		90 MPH w/1.3 GUST <sup>1</sup>		100 MPH w/1.3 GUST <sup>1</sup>		BASE OD (IN)	TOP OD (IN)	WALL THK (IN)	STRUCTURE WEIGHT <sup>3</sup> (LBS)	
	MAX LUMINAIRE EPA <sup>2</sup> (SQFT)	MAX LUMINAIRE WEIGHT <sup>2</sup> (LBS)	MAX LUMINAIRE EPA <sup>2</sup> (SQFT)	MAX LUMINAIRE WEIGHT <sup>2</sup> (LBS)	MAX LUMINAIRE EPA <sup>2</sup> (SQFT)	MAX LUMINAIRE WEIGHT <sup>2</sup> (LBS)					
<b>Round Non-Tapered</b>											
8'-0"	15.2	300	11.9	300	9.6	300	4.00	4.00	0.125	80	080040404SY
	20.0	300	19.4	300	15.7	300	5.00	5.00	0.125	80	080050504SY
10'-0"	11.4	300	8.8	300	7.0	300	4.00	4.00	0.125	83	100040404SY
	18.8	300	14.8	300	11.9	300	5.00	5.00	0.125	85	100050504SY
12'-0"	8.6	300	6.6	300	5.2	300	4.00	4.00	0.125	87	120040404SY
	14.8	300	11.6	300	9.3	300	5.00	5.00	0.125	89	120050504SY
14'-0"	11.4	300	8.9	300	7.1	300	5.00	5.00	0.125	94	140050504SY
<b>Round Tapered</b>											
8'-0"	20.0	300	19.3	300	15.6	300	5.00	4.00	0.125	79	080040504TY
10'-0"	18.8	300	14.7	300	11.8	300	5.00	4.00	0.125	83	100040504TY
12'-0"	14.8	300	11.5	300	9.2	300	5.00	4.00	0.125	87	120040504TY
14'-0"	11.5	300	8.8	300	7.0	300	5.00	4.00	0.125	91	140040504TY

- EPA values are calculated using fastest mile winds.
- Maximum EPA (Effective Projected Area) and weight values are based on top mounted luminaires and/or brackets having a centroid 2'-6" above and 1'-6" eccentric to the post top at Nominal Mounting Height. Variations from sizes above are available upon inquiry at the factory. Satisfactory performance of posts is dependent upon the post being properly attached to a supporting foundation of adequate design.
- Structure Weight is a nominal value which includes the post shaft and structural base.

## PRODUCT ORDERING CODES

DESIGN SERIES	CROSS SECTION	MODEL NUMBER	FIXTURE MOUNTING	COLOR	OPTIONS																
WL12AS	R																				
	Round	<table border="1"> <tr> <th>Round Non-Tapered</th> <th>Round Tapered</th> </tr> <tr> <td>080040404SY</td> <td>080040504TY</td> </tr> <tr> <td>080050504SY</td> <td>100040504TY</td> </tr> <tr> <td>100040404SY</td> <td>120040504TY</td> </tr> <tr> <td>100050504SY</td> <td>140040504TY</td> </tr> <tr> <td>120040404SY</td> <td></td> </tr> <tr> <td>120050504SY</td> <td></td> </tr> <tr> <td>140050504SY</td> <td></td> </tr> </table>	Round Non-Tapered	Round Tapered	080040404SY	080040504TY	080050504SY	100040504TY	100040404SY	120040504TY	100050504SY	140040504TY	120040404SY		120050504SY		140050504SY		<b>Drill Mounting</b> D1 = 1 Luminaire D2 = 2 @ 180° D3 = 3 @ 120° D4 = 4 @ 90° D5 = 2 @ 90° D6 = 3 @ 90°  <b>Tenon Mounting</b> P2 = 2.38" OD x 4.00" PD = 3.00" OD x 3.00" -- = Plain Top P9 = Other Tenon (Contact Factory)	DWH = White DSS = Sandstone HTG = Hunter Green DNA = Natural Aluminum DCG = Charcoal Gray DMB = Medium Bronze DNB = New Dark Bronze DDB = Dark Bronze DBL = Black DSB = Steel Blue DTG = Dark Green DBR = Red SC = Special Color (Contact Factory)	See Decorative Accessories or Decorative Arms - Aluminum at valmontstructures.com (Please Specify)
Round Non-Tapered	Round Tapered																				
080040404SY	080040504TY																				
080050504SY	100040504TY																				
100040404SY	120040504TY																				
100050504SY	140040504TY																				
120040404SY																					
120050504SY																					
140050504SY																					