



DECORATIVE LAMP POST

POLE **CO50**

DECORATIVE BASE **D13M**

TAPERED OCTAGON POLE

- Tapered, octagon composite pole shaft
- Direct Embedded and Anchor Base models
- XTREME® elastomeric urethane base cover



Ordering Information

SAMPLE CATALOG NUMBER LOGIC

	B	C	D	E	F
CO50-D13M	25	DE	DGR	40	
CO50-D13M	28	AB	BLK	30	RC
BASE & POLE DESIGN	ABOVE GRADE HEIGHT	INSTALLATION METHOD	COLOR	TENON O.D.	OPTIONS

B ABOVE GRADE HEIGHT

Cat No.	Description
6	6 feet/1.8M
7	7 feet/2.1M
8	8 feet/2.4M
9	9 feet/2.7M
10	10 feet/3.0M
11	11 feet/3.4M
12	12 feet/3.7M
13	13 feet/4.0M
14	14 feet/4.3M
15	15 feet/4.6M
16	16 feet/4.9M
17	17 feet/5.2M
18	18 feet/5.5M
19	19 feet/5.8M
20	20 feet/6.1M
21	21 feet/6.4M
22	22 feet/6.7M
23	23 feet/7.0M
24	24 feet/7.3M
25	25 feet/7.6M
26	26 feet/7.9M
27	27 feet/8.3M
28	28 feet/8.5M

E TENON O.D. (OUTSIDE DIAMETER)

Cat No.	Description
30	3" (76mm) O.D. x 3"(76mm) height
40	4" (102mm) O.D. x 6"(178mm) height
99	Custom Tenon Size

Tenons include a cast decorative ring at the top of the pole.

F OPTIONS

Cat No.	Description
RC	Receptacle housing and a NEC approved cover. GFCI receptacle included. Standard location is 12"/305mm below the top of the pole.

- Other accessories are shown on the Accessories specification sheet.

ABOVE GRADE HEIGHT

20' MODEL SHOWN

C INSTALLATION METHOD

Cat No.	Description
DE	Direct Embedded
AB	Anchor Base

D COLOR

Cat No.	Description
BLK	Black
DBZ	Dark Bronze
DGR	Dark Green
SLV	Silver
WHT	White
GRY	Grey
CC	Custom color - Please provide a min. 3" x 3" color chip.
RAL	Please provide a four digit RAL color number.

HEIGHT: 20"/508MM

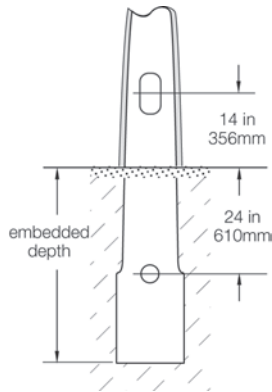
BASE DIAMETER: 16.5"/419MM

Whatley - Valmont Composite Structures, Inc.

19845 U.S. Highway 76 • Newberry, SC 29108 USA

Tel: 877.959.7678 | 803.276.5507 • Fax: 803.276.8940 • whatley.com

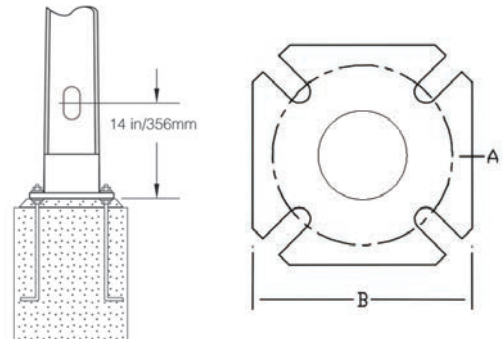
Direct Embedded - DE



SHAFT LENGTH	EMBEDDED DEPTH
6 to 13 feet	3ft/.91M
14 to 24 feet	4ft/1.2M
25 to 30 feet	5ft/1.5M

* Embedded depths may vary per local codes, site soil conditions, drainage and very high wind conditions.

Anchor Base Installation - AB



Shaft Length	A	B	Anchor Bolts
6' to 21' (1.8M to 6.4M)	9' to 11" (229mm-279mm)	10" (254mm)	3/4" x 30"
22' to 28' (6.7M to 8.5M)	12" (305mm)	11.5" (292mm)	1" x 36"

Specifications

POLE SHAFT

The CO50 pole shaft shall be octagon tapered, smooth with a .18"/4.6mm per foot taper. The hand hole shall be 2.5"/64mm x 5"/127mm with a cover. The shaft shall be constructed of fiberglass combined with a thermosetting resin using an advanced centrifugal cast process. The hand hole area and hardware attachment areas shall be reinforced.

The butt end of the embedded-type post shall be octagon to increase the resistance to rotation. The post shall be non-conductive and chemically inert.

PERFORMANCE CRITERIA

The post shall be designed with a minimum safety factor of 1.5:1 and have no more than a 15% deflection at full wind loading. The post shall deflect no more than 2.5% of the above-ground length with 100 lbs. of lateral top load. Poles shall be tested and rated per ANSI C136.20-2012.

DIRECT EMBEDDED INSTALLATION

Direct embedded poles shall have two 2.5 inch (64mm) diameter holes at 180° for conduit entrance 24 inches (610mm) below finished grade. Embedded depths may vary per local codes, site soil conditions, drainage and very high wind conditions.

ANCHOR BASE

Anchor bases shall be constructed of hot dipped galvanized steel. The base shall be factory bonded to the pole. The anchor base shall have four holes at ninety degrees, accommodating a bolt circle as indicated in the chart.

POST TOP

A painted aluminum or galvanized steel tenon shall be factory bonded to the pole for mounting a post-top luminaire or arm.

FINISH

The surface of the post shall be uniform and consistent for the entire length of the post. A UV-resistant catalyzed urethane coating shall be extremely durable and retains its gloss after a 5000 hour exposure test (ASTM G-154), with no dulling or chalking of the surface.

ORNAMENTAL BASE COVER

The ornamental decorative base cover shall be one or two piece and constructed of a proprietary elastomeric urethane and finished to match the post. The base shall be corrosion free and extremely resistant to impact and chipping.

WARRANTY

The products shall be warranted to be free of defects for three years from the date of shipment from the factory.

Wind Loading Data for

Direct Embedded and Anchor Base

Cat No.	Description	WT	WIND SPEED (MPH) WITH 3 SECOND GUST FACTOR						
			90	100	110	120	130	140	150
6	6 feet/1.8M	31	40.1	32.1	26.2	21.8	18.3	15.6	13.4
7	7 feet/2.1M	37	35.9	28.8	23.4	19.4	16.3	13.9	11.9
8	8 feet/2.4M	42	33.4	26.7	21.7	18.0	15.1	12.8	11.0
9	9 feet/2.7M	48	31.7	25.2	20.5	16.9	14.2	12.1	10.4
10	10 feet/3.0M	54	29.6	23.5	19.0	15.7	13.2	11.2	9.6
11	11 feet/3.4M	59	28.6	22.7	18.3	15.1	12.7	10.7	9.2
12	12 feet/3.7M	65	27.5	21.8	17.5	14.4	12.1	10.2	8.7
13	13 feet/4.0M	70	26.3	20.7	16.6	13.6	11.4	9.6	8.2
14	14 feet/4.3M	76	24.1	18.9	15.1	12.3	10.3	8.7	7.4
15	15 feet/4.6M	81	24.0	18.8	14.9	12.2	10.1	8.6	7.3
16	16 feet/4.9M	87	23.0	17.9	14.2	11.5	9.6	8.1	6.8
17	17 feet/5.2M	93	21.9	17.0	13.4	10.8	9.0	7.5	6.4
18	18 feet/5.5M	98	20.8	16.0	12.5	10.1	8.3	7.0	5.9
19	19 feet/5.8M	104	19.6	15.1	11.7	9.3	7.7	6.4	5.4
20	20 feet/6.1M	109	18.5	14.1	10.8	8.6	7.0	5.8	4.9
21	21 feet/6.4M	115	17.3	13.0	9.9	7.8	6.4	5.2	4.4
22	22 feet/6.7M	126	15.0	11.1	8.2	6.4	5.2	4.2	3.4
23	23 feet/7.0M	132	13.7	10.0	7.3	5.6	4.5	3.6	2.9
24	24 feet/7.3M	137	12.7	9.2	6.5	4.9	3.9	3.1	2.4
25	25 feet/7.6M	143	11.7	8.3	5.8	4.2	3.3	2.5	2.0
26	26 feet/7.9M	149	11.2	7.8	5.3	3.8	2.9	2.2	1.7
27	27 feet/8.3M	154	10.7	7.4	4.9	3.5	2.6	1.9	1.4
28	28 feet/8.5M	160	10.3	7.0	4.5	3.1	2.3	1.6	1.1

Wind speed values are for a 3-second gust per ASCE 7-05. Calculated per ANSI C136.20-2012. Assumes load 12 inches above the pole top. Safety factor = 1.5:1. Maximum weight for tenon mount is 100 lbs.

Contact factory for AASHTO or specific local codes.