



# DECORATIVE LAMP POST

POLE **CO50**

## TAPERED OCTAGON POLE

DECORATIVE BASE **D16L/2**

- Tapered, octagon composite pole shaft
- Direct Embedded and Anchor Base models
- XTREME® elastomeric urethane base cover



### Ordering Information

SAMPLE CATALOG NUMBER LOGIC

|                    | B                  | C                   | D     | E          | F       |
|--------------------|--------------------|---------------------|-------|------------|---------|
| CO50-D16L/2        | 25                 | DE                  | DGR   | 40         |         |
| CO50-D16L/2        | 28                 | AB                  | BLK   | 30         | RC      |
| BASE & POLE DESIGN | ABOVE GRADE HEIGHT | INSTALLATION METHOD | COLOR | TENON O.D. | OPTIONS |

#### B ABOVE GRADE HEIGHT

| Cat No. | Description  |
|---------|--------------|
| 6       | 6 feet/1.8M  |
| 7       | 7 feet/2.1M  |
| 8       | 8 feet/2.4M  |
| 9       | 9 feet/2.7M  |
| 10      | 10 feet/3.0M |
| 11      | 11 feet/3.4M |
| 12      | 12 feet/3.7M |
| 13      | 13 feet/4.0M |
| 14      | 14 feet/4.3M |
| 15      | 15 feet/4.6M |
| 16      | 16 feet/4.9M |
| 17      | 17 feet/5.2M |
| 18      | 18 feet/5.5M |
| 19      | 19 feet/5.8M |
| 20      | 20 feet/6.1M |
| 21      | 21 feet/6.4M |
| 22      | 22 feet/6.7M |
| 23      | 23 feet/7.0M |
| 24      | 24 feet/7.3M |
| 25      | 25 feet/7.6M |
| 26      | 26 feet/7.9M |
| 27      | 27 feet/8.3M |
| 28      | 28 feet/8.5M |

#### E TENON O.D. (OUTSIDE DIAMETER)

| Cat No. | Description                        |
|---------|------------------------------------|
| 30      | 3" (76mm) O.D. x 3"(76mm) height   |
| 40      | 4" (102mm) O.D. x 6"(178mm) height |
| 99      | Custom Tenon Size                  |

Tenons include a cast decorative ring at the top of the pole.

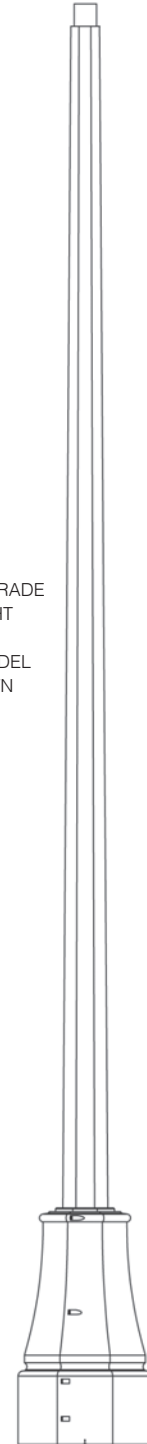
#### F OPTIONS

| Cat No. | Description  |
|---------|--|
| RC      | Receptacle housing and a NEC approved cover. GFCI receptacle included. Standard location is 12"/305mm below the top of the pole. |

- Other accessories are shown on the Accessories specification sheet.

ABOVE GRADE HEIGHT

20' MODEL SHOWN



#### C INSTALLATION METHOD

| Cat No. | Description     |
|---------|-----------------|
| DE      | Direct Embedded |
| AB      | Anchor Base     |

#### D COLOR

| Cat No. | Description  |
|---------|--|
| BLK     | Black  |
| DBZ     | Dark Bronze  |
| DGR     | Dark Green   |
| SLV     | Silver   |
| WHT     | White  |
| GRY     | Grey   |
| CC      | Custom color - Please provide a min. 3" x 3" color chip. |
| RAL     | Please provide a four digit RAL color number.            |

HEIGHT: 32"/813MM

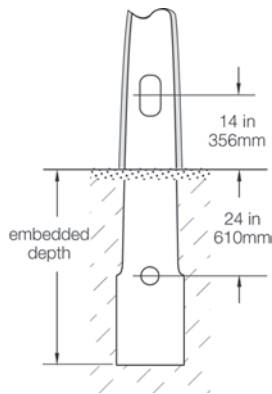
BASE DIAMETER: 18"/457MM

**Whatley - Valmont Composite Structures, Inc.**

19845 U.S. Highway 76 • Newberry, SC 29108 USA

Tel: 877.959.7678 | 803.276.5507 • Fax: 803.276.8940 • [whatley.com](http://whatley.com)

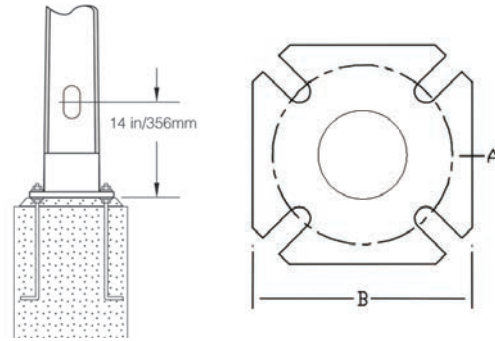
**Direct Embedded - DE**



| SHAFT LENGTH  | EMBEDDED DEPTH |
|---------------|----------------|
| 6 to 13 feet  | 3ft/.91M       |
| 14 to 24 feet | 4ft/1.2M       |
| 25 to 30 feet | 5ft/1.5M       |

\* Embedded depths may vary per local codes, site soil conditions, drainage and very high wind conditions.

**Anchor Base Installation - AB**



| Shaft Length              | A                       | B             | Anchor Bolts |
|---------------------------|-------------------------|---------------|--------------|
| 6' to 21' (1.8M to 6.4M)  | 9' to 11" (229mm-279mm) | 10" (254mm)   | 3/4" x 30"   |
| 22' to 28' (6.7M to 8.5M) | 12" (305mm)             | 11.5" (292mm) | 1" x 36"     |

**Specifications**

**POLE SHAFT**

The CO50 pole shaft shall be octagon tapered, smooth with a .18"/4.6mm per foot taper. The hand hole shall be 2.5"/64mm x 5"/127mm with a cover. The shaft shall be constructed of fiberglass combined with a thermosetting resin using an advanced centrifugal cast process. The hand hole area and hardware attachment areas shall be reinforced.

The butt end of the embedded-type post shall be octagon to increase the resistance to rotation. The post shall be non-conductive and chemically inert.

**PERFORMANCE CRITERIA**

The post shall be designed with a minimum safety factor of 1.5:1 and have no more than a 15% deflection at full wind loading. The post shall deflect no more than 2.5% of the above-ground length with 100 lbs. of lateral top load. Poles shall be tested and rated per ANSI C136.20-2012.

**DIRECT EMBEDDED INSTALLATION**

Direct embedded poles shall have two 2.5 inch (64mm) diameter holes at 180° for conduit entrance 24 inches (610mm) below finished grade. Embedded depths may vary per local codes, site soil conditions, drainage and very high wind conditions.

**ANCHOR BASE**

Anchor bases shall be constructed of hot dipped galvanized steel. The base shall be factory bonded to the pole. The anchor base shall have four holes at ninety degrees, accommodating a bolt circle as indicated in the chart.

**POST TOP**

A painted aluminum or galvanized steel tenon shall be factory bonded to the pole for mounting a post-top luminaire or arm.

**FINISH**

The surface of the post shall be uniform and consistent for the entire length of the post. A UV-resistant catalyzed urethane coating shall be extremely durable and retains its gloss after a 5000 hour exposure test (ASTM G-154), with no dulling or chalking of the surface.

**ORNAMENTAL BASE COVER**

The ornamental decorative base cover shall be one or two piece and constructed of a proprietary elastomeric urethane and finished to match the post. The base shall be corrosion free and extremely resistant to impact and chipping.

**WARRANTY**

The products shall be warranted to be free of defects for three years from the date of shipment from the factory.

**Wind Loading Data for**

**Direct Embedded and Anchor Base**

| Cat No. | Description  | WT  | WIND SPEED (MPH) WITH 3 SECOND GUST FACTOR |      |      |      |      |      |      |
|---------|--------------|-----|--|------|------|------|------|------|------|
|         |              |     | 90   | 100  | 110  | 120  | 130  | 140  | 150  |
| 6       | 6 feet/1.8M  | 31  | 40.1                                       | 32.1 | 26.2 | 21.8 | 18.3 | 15.6 | 13.4 |
| 7       | 7 feet/2.1M  | 37  | 35.9                                       | 28.8 | 23.4 | 19.4 | 16.3 | 13.9 | 11.9 |
| 8       | 8 feet/2.4M  | 42  | 33.4                                       | 26.7 | 21.7 | 18.0 | 15.1 | 12.8 | 11.0 |
| 9       | 9 feet/2.7M  | 48  | 31.7                                       | 25.2 | 20.5 | 16.9 | 14.2 | 12.1 | 10.4 |
| 10      | 10 feet/3.0M | 54  | 29.6                                       | 23.5 | 19.0 | 15.7 | 13.2 | 11.2 | 9.6  |
| 11      | 11 feet/3.4M | 59  | 28.6                                       | 22.7 | 18.3 | 15.1 | 12.7 | 10.7 | 9.2  |
| 12      | 12 feet/3.7M | 65  | 27.5                                       | 21.8 | 17.5 | 14.4 | 12.1 | 10.2 | 8.7  |
| 13      | 13 feet/4.0M | 70  | 26.3                                       | 20.7 | 16.6 | 13.6 | 11.4 | 9.6  | 8.2  |
| 14      | 14 feet/4.3M | 76  | 24.1                                       | 18.9 | 15.1 | 12.3 | 10.3 | 8.7  | 7.4  |
| 15      | 15 feet/4.6M | 81  | 24.0                                       | 18.8 | 14.9 | 12.2 | 10.1 | 8.6  | 7.3  |
| 16      | 16 feet/4.9M | 87  | 23.0                                       | 17.9 | 14.2 | 11.5 | 9.6  | 8.1  | 6.8  |
| 17      | 17 feet/5.2M | 93  | 21.9                                       | 17.0 | 13.4 | 10.8 | 9.0  | 7.5  | 6.4  |
| 18      | 18 feet/5.5M | 98  | 20.8                                       | 16.0 | 12.5 | 10.1 | 8.3  | 7.0  | 5.9  |
| 19      | 19 feet/5.8M | 104 | 19.6                                       | 15.1 | 11.7 | 9.3  | 7.7  | 6.4  | 5.4  |
| 20      | 20 feet/6.1M | 109 | 18.5                                       | 14.1 | 10.8 | 8.6  | 7.0  | 5.8  | 4.9  |
| 21      | 21 feet/6.4M | 115 | 17.3                                       | 13.0 | 9.9  | 7.8  | 6.4  | 5.2  | 4.4  |
| 22      | 22 feet/6.7M | 126 | 15.0                                       | 11.1 | 8.2  | 6.4  | 5.2  | 4.2  | 3.4  |
| 23      | 23 feet/7.0M | 132 | 13.7                                       | 10.0 | 7.3  | 5.6  | 4.5  | 3.6  | 2.9  |
| 24      | 24 feet/7.3M | 137 | 12.7                                       | 9.2  | 6.5  | 4.9  | 3.9  | 3.1  | 2.4  |
| 25      | 25 feet/7.6M | 143 | 11.7                                       | 8.3  | 5.8  | 4.2  | 3.3  | 2.5  | 2.0  |
| 26      | 26 feet/7.9M | 149 | 11.2                                       | 7.8  | 5.3  | 3.8  | 2.9  | 2.2  | 1.7  |
| 27      | 27 feet/8.3M | 154 | 10.7                                       | 7.4  | 4.9  | 3.5  | 2.6  | 1.9  | 1.4  |
| 28      | 28 feet/8.5M | 160 | 10.3                                       | 7.0  | 4.5  | 3.1  | 2.3  | 1.6  | 1.1  |

Wind speed values are for a 3-second gust per ASCE 7-05. Calculated per ANSI C136.20-2012. Assumes load 12 inches above the pole top. Safety factor = 1.5:1. Maximum weight for tenon mount is 100 lbs.

Contact factory for AASHTO or specific local codes.