



# DECORATIVE LAMP POST

POLE **CO50**

DECORATIVE BASE **D5M**

## TAPERED OCTAGON POLE

- Tapered, octagon composite pole shaft
- Direct Embedded and Anchor Base models
- XTREME® elastomeric urethane base cover



## Ordering Information

SAMPLE CATALOG NUMBER LOGIC

	B	C	D	E	F
CO50-D5M	25	DE	DGR	40	
CO50-D5M	28	AB	BLK	30	RC
BASE & POLE DESIGN	ABOVE GRADE HEIGHT	INSTALLATION METHOD	COLOR	TENON O.D.	OPTIONS

### B ABOVE GRADE HEIGHT

Cat No.	Description
6	6 feet/1.8M
7	7 feet/2.1M
8	8 feet/2.4M
9	9 feet/2.7M
10	10 feet/3.0M
11	11 feet/3.4M
12	12 feet/3.7M
13	13 feet/4.0M
14	14 feet/4.3M
15	15 feet/4.6M
16	16 feet/4.9M
17	17 feet/5.2M
18	18 feet/5.5M
19	19 feet/5.8M
20	20 feet/6.1M
21	21 feet/6.4M
22	22 feet/6.7M
23	23 feet/7.0M
24	24 feet/7.3M
25	25 feet/7.6M
26	26 feet/7.9M
27	27 feet/8.3M
28	28 feet/8.5M

### E TENON O.D. (OUTSIDE DIAMETER)

Cat No.	Description
30	3" (76mm) O.D. x 3"(76mm) height
40	4" (102mm) O.D. x 6"(178mm) height
99	Custom Tenon Size

Tenons include a cast decorative ring at the top of the pole.

### F OPTIONS

Cat No.	Description
RC	Receptacle housing and a NEC approved cover. GFCI receptacle included. Standard location is 12"/305mm below the top of the pole.

- Other accessories are shown on the Accessories specification sheet.

ABOVE GRADE HEIGHT

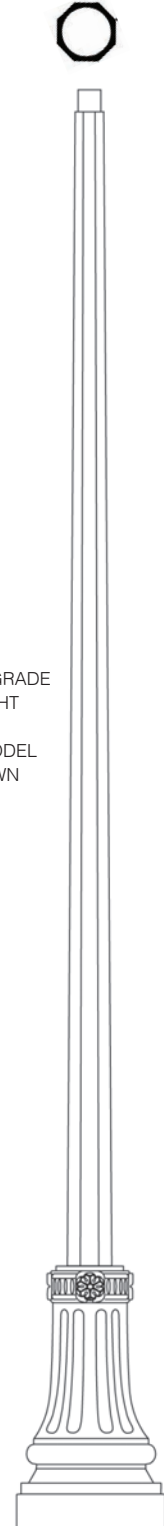
20' MODEL SHOWN

### C INSTALLATION METHOD

Cat No.	Description
DE	Direct Embedded
AB	Anchor Base

### D COLOR

Cat No.	Description
BLK	Black
DBZ	Dark Bronze
DGR	Dark Green
SLV	Silver
WHT	White
GRY	Grey
CC	Custom color - Please provide a min. 3" x 3" color chip.
RAL	Please provide a four digit RAL color number.



HEIGHT: 35"/889MM

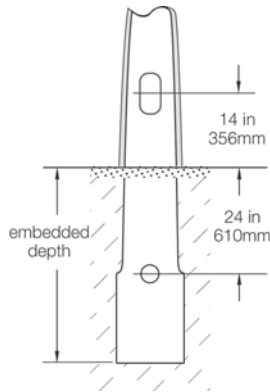
BASE DIAMETER: 20"/510MM

Whatley - Valmont Composite Structures, Inc.

19845 U.S. Highway 76 • Newberry, SC 29108 USA

Tel: 877.959.7678 | 803.276.5507 • Fax: 803.276.8940 • [whatley.com](http://whatley.com)

**Direct Embedded - DE**



SHAFT LENGTH	EMBEDDED DEPTH
6 to 13 feet	3ft/.91M
14 to 24 feet	4ft/1.2M
25 to 30 feet	5ft/1.5M

\* Embedded depths may vary per local codes, site soil conditions, drainage and very high wind conditions.

**Specifications**

**POLE SHAFT**

The CO50 pole shaft shall be octagon tapered, smooth with a .18"/4.6mm per foot taper. The hand hole shall be 2.5"/64mm x 5"/127mm with a cover. The shaft shall be constructed of fiberglass combined with a thermosetting resin using an advanced centrifugal cast process. The hand hole area and hardware attachment areas shall be reinforced.

The butt end of the embedded-type post shall be octagon to increase the resistance to rotation. The post shall be non-conductive and chemically inert.

**PERFORMANCE CRITERIA**

The post shall be designed with a minimum safety factor of 1.5:1 and have no more than a 15% deflection at full wind loading. The post shall deflect no more than 2.5% of the above-ground length with 100 lbs. of lateral top load. Poles shall be tested and rated per ANSI C136.20-2012.

**DIRECT EMBEDDED INSTALLATION**

Direct embedded poles shall have two 2.5 inch (64mm) diameter holes at 180° for conduit entrance 24 inches (610mm) below finished grade. Embedded depths may vary per local codes, site soil conditions, drainage and very high wind conditions.

**ANCHOR BASE**

Anchor bases shall be constructed of hot dipped galvanized steel. The base shall be factory bonded to the pole. The anchor base shall have four holes at ninety degrees, accommodating a bolt circle as indicated in the chart.

**POST TOP**

A painted aluminum or galvanized steel tenon shall be factory bonded to the pole for mounting a post-top luminaire or arm.

**FINISH**

The surface of the post shall be uniform and consistent for the entire length of the post. A UV-resistant catalyzed urethane coating shall be extremely durable and retains its gloss after a 5000 hour exposure test (ASTM G-154), with no dulling or chalking of the surface.

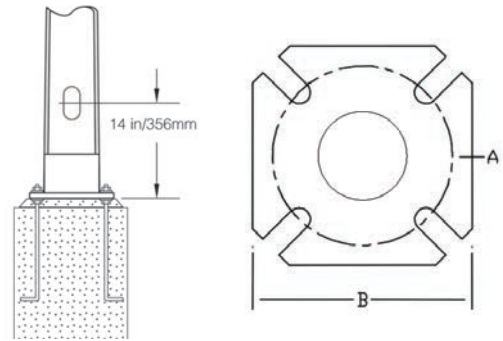
**ORNAMENTAL BASE COVER**

The ornamental decorative base cover shall be one or two piece and constructed of a proprietary elastomeric urethane and finished to match the post. The base shall be corrosion free and extremely resistant to impact and chipping.

**WARRANTY**

The products shall be warranted to be free of defects for three years from the date of shipment from the factory.

**Anchor Base Installation - AB**



Shaft Length	A	B	Anchor Bolts
6' to 21' (1.8M to 6.4M)	9' to 11" (229mm-279mm)	10" (254mm)	¾" x 30"
22' to 28' (6.7M to 8.5M)	12" (305mm)	11.5" (292mm)	1" x 36"

**Wind Loading Data for**

**Direct Embedded and Anchor Base**

Cat No.	Description	WT	WIND SPEED (MPH) WITH 3 SECOND GUST FACTOR							
			90	100	110	120	130	140	150	
6	6 feet/1.8M	31	40.1	32.1	26.2	21.8	18.3	15.6	13.4	
7	7 feet/2.1M	37	35.9	28.8	23.4	19.4	16.3	13.9	11.9	
8	8 feet/2.4M	42	33.4	26.7	21.7	18.0	15.1	12.8	11.0	
9	9 feet/2.7M	48	31.7	25.2	20.5	16.9	14.2	12.1	10.4	
10	10 feet/3.0M	54	29.6	23.5	19.0	15.7	13.2	11.2	9.6	
11	11 feet/3.4M	59	28.6	22.7	18.3	15.1	12.7	10.7	9.2	
12	12 feet/3.7M	65	27.5	21.8	17.5	14.4	12.1	10.2	8.7	
13	13 feet/4.0M	70	26.3	20.7	16.6	13.6	11.4	9.6	8.2	
14	14 feet/4.3M	76	24.1	18.9	15.1	12.3	10.3	8.7	7.4	
15	15 feet/4.6M	81	24.0	18.8	14.9	12.2	10.1	8.6	7.3	
16	16 feet/4.9M	87	23.0	17.9	14.2	11.5	9.6	8.1	6.8	
17	17 feet/5.2M	93	21.9	17.0	13.4	10.8	9.0	7.5	6.4	
18	18 feet/5.5M	98	20.8	16.0	12.5	10.1	8.3	7.0	5.9	
19	19 feet/5.8M	104	19.6	15.1	11.7	9.3	7.7	6.4	5.4	
20	20 feet/6.1M	109	18.5	14.1	10.8	8.6	7.0	5.8	4.9	
21	21 feet/6.4M	115	17.3	13.0	9.9	7.8	6.4	5.2	4.4	
22	22 feet/6.7M	126	15.0	11.1	8.2	6.4	5.2	4.2	3.4	
23	23 feet/7.0M	132	13.7	10.0	7.3	5.6	4.5	3.6	2.9	
24	24 feet/7.3M	137	12.7	9.2	6.5	4.9	3.9	3.1	2.4	
25	25 feet/7.6M	143	11.7	8.3	5.8	4.2	3.3	2.5	2.0	
26	26 feet/7.9M	149	11.2	7.8	5.3	3.8	2.9	2.2	1.7	
27	27 feet/8.3M	154	10.7	7.4	4.9	3.5	2.6	1.9	1.4	
28	28 feet/8.5M	160	10.3	7.0	4.5	3.1	2.3	1.6	1.1	

Wind speed values are for a 3-second gust per ASCE 7-05. Calculated per ANSI C136.20-2012. Assumes load 12 inches above the pole top. Safety factor = 1.5:1. Maximum weight for tenon mount is 100 lbs.

Contact factory for AASHTO or specific local codes.