



# DECORATIVE LAMP POST

POLE **TS50**

DECORATIVE BASE **D3L**

## TAPERED SMOOTH POLE

- Tapered, smooth composite pole shaft
- Direct Embedded and Anchor Base models
- XTREME® 2-piece elastomeric urethane base cover

## Ordering Information

### SAMPLE CATALOG NUMBER LOGIC

|                    | B                  | C                   | D     | E          | F       |
|--------------------|--------------------|---------------------|-------|------------|---------|
| TS50-D3L           | 30                 | DE                  | DGR   | 40         |         |
| TS50-D3L           | 28                 | AB                  | HGR   | 30         |         |
| BASE ONLY D3L      | •                  | •                   | BLK   | •          | •       |
| BASE & POLE DESIGN | ABOVE GRADE HEIGHT | INSTALLATION METHOD | COLOR | TENON O.D. | OPTIONS |

### B ABOVE GRADE HEIGHT

| Cat No. | Description   |
|---------|---------------|
| 10      | 10 feet/3.0M  |
| 11      | 11 feet/3.4M  |
| 12      | 12 feet/3.7M  |
| 13      | 13 feet/4.0M  |
| 14      | 14 feet/4.3M  |
| 15      | 15 feet/4.6M  |
| 16      | 16 feet/4.9M  |
| 17      | 17 feet/5.2M  |
| 18      | 18 feet/5.5M  |
| 19      | 19 feet/5.8M  |
| 20      | 20 feet/6.1M  |
| 21      | 21 feet/6.40M |
| 22      | 22 feet/6.71M |
| 23      | 23 feet/7.01M |
| 24      | 24 feet/7.32M |
| 25      | 25 feet/7.62M |
| 26      | 26 feet/7.92M |
| 27      | 27 feet/8.32M |
| 28      | 28 feet/8.53M |
| 29      | 29 feet/8.84M |
| 30      | 30 feet/9.14M |

### E TENON O.D. (OUTSIDE DIAMETER)

| Cat No. | Description        |
|---------|--------------------|
| 23      | 2 3/8" (60 mm)     |
| 27      | 2 7/8" (73 mm)     |
| 30      | 3" (76 mm) nominal |
| 35      | 3 1/2" (89 mm)     |
| 40      | 4" (102 mm)        |

Tenons include a cast decorative ring at the top of the pole.

- For other tenon sizes contact the factory.

### F OPTIONS

| Cat No. | Description   |
|---------|---|
| RC      | Receptacle housing and a NEC approved cover. GFCI receptacle by others. Standard location is 12"/305mm below the top of the pole. |

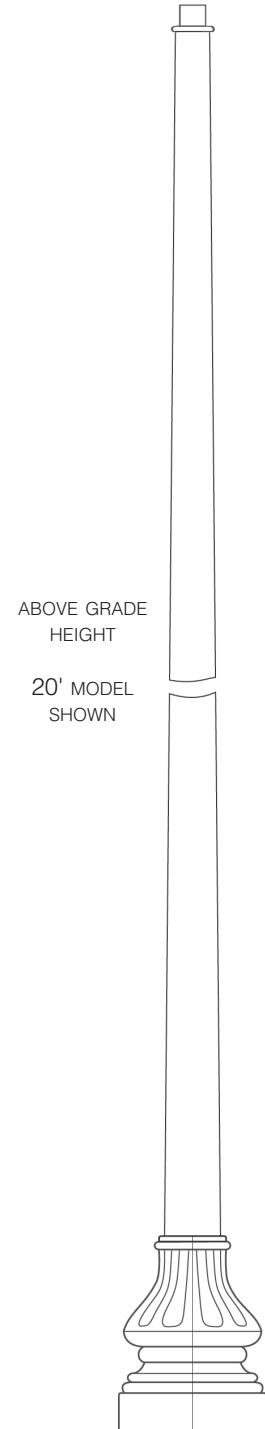
- Other accessories are shown on the Accessories specification sheet.

### C INSTALLATION METHOD

| Cat No. | Description     |
|---------|-----------------|
| DE      | Direct Embedded |
| AB      | Anchor Base     |

### D COLOR

| Cat No. | Description  |
|---------|--|
| BLK     | Black  |
| MTB     | Matte Black  |
| DBZ     | Dark Bronze  |
| DGR     | Dark Green   |
| HTG     | Hunter Green   |
| SLV     | Silver   |
| WHT     | White  |
| GRY     | Grey   |
| CC      | Custom color - Please provide a min. 3" x 3" color chip. |
| RAL     | Please provide a four digit RAL color number.            |



HEIGHT: 35"/890MM

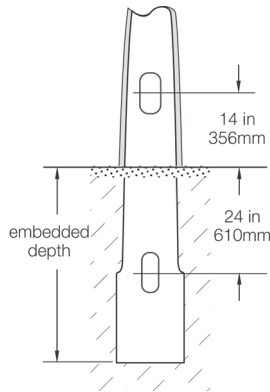
BASE DIAMETER: 26"/660MM

**Whatley - Valmont Composite Structures, Inc.**

19845 U.S. Highway 76 • Newberry, SC 29108 USA

Tel: 877.959.7678 | 803.276.5507 • Fax: 803.276.8940 • [whatley.com](http://whatley.com)

**Direct Embedded - DE**

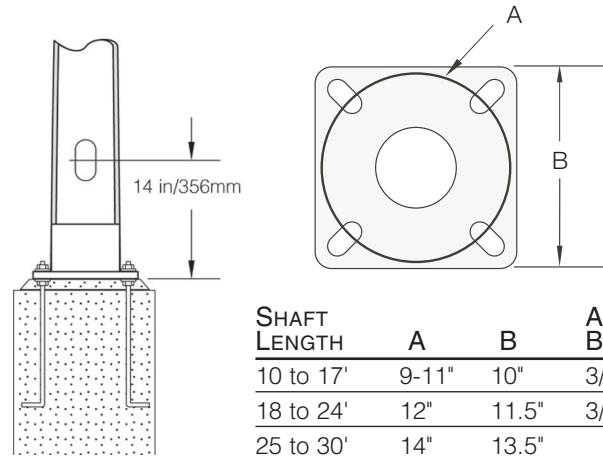


| SHAFT LENGTH  | EMBEDDED DEPTH |
|---------------|----------------|
| 10 to 13 feet | 3ft/.91M       |
| 14 to 24 feet | 4ft/1.2M       |
| 25 to 30 feet | 5ft/1.5M       |

\* Embedded depths may vary per local codes, site soil conditions, drainage and very high wind conditions.

Hand hole is: 2.5"/62mm x 5"/125mm.

**Anchor Base Installation - AB**



| SHAFT LENGTH | A     | B     | ANCHOR BOLTS |
|--------------|-------|-------|--------------|
| 10 to 17'    | 9-11" | 10"   | 3/4" x 30"   |
| 18 to 24'    | 12"   | 11.5" | 3/4" x 30"   |
| 25 to 30'    | 14"   | 13.5" | 1" x 36"     |

**Specifications**

**POLE SHAFT**

The pole shaft shall be round tapered, smooth with a .14"/3.5mm per foot taper. The hand hole shall be 2.5"/62mm x 5"/125mm with a cover. The shaft shall be constructed of continuous fiberglass filament combined with a thermosetting resin. The glass filament shall be helically wound at alternating high and low angle layers for maximum compressive and bending strength. The hand hole area and hardware attachment areas shall be reinforced. The poles shall be designed with a minimum safety factor of 1.5:1 and have a maximum deflection of 15% under full wind loading conditions.

The butt end of the embedded-type post shall be enlarged and oval to increase the resistance to rotation and provide maximum ground bearing resistance (anti-lift). The post shall be non-conductive and chemically inert.

**PERFORMANCE CRITERIA**

The post shall be designed with a minimum safety factor of 1.5:1 and have no more than a 15% deflection at full wind loading. The post shall deflect no more than 2.5% of the above-ground length with 100 lbs. of lateral top load. Poles shall be tested and rated per ANSI C136.20-2012.

**DIRECT EMBEDDED INSTALLATION**

Direct embedded poles shall have a 2.5 inch (62mm) by 6 inch (152mm) slot for conduit entrance 24 inches (610mm) below finished grade. Embedded depths may vary per local codes, site soil conditions, drainage and very high wind conditions.

**ANCHOR BASE**

Anchor bases shall be constructed of primed and painted aluminum or galvanized steel. The base shall be factory bonded to the post. The anchor base shall have four holes at ninety degrees, accommodating a bolt circle of 7-9 inches, 9-11 inches or 12 inches.

**POST TOP**

A painted aluminum or galvanized steel tenon shall be firmly bonded to the pole for mounting a post-top luminaire or arm.

**FINISH**

The surface of the post shall be uniform and consistent for the entire length of the post. A UV-resistant catalyzed urethane coating shall be extremely durable and retains its gloss after a 5000 hour exposure test (ASTM G-154) to the sun, with no dulling or chalking of the surface.

**ORNAMENTAL BASE COVER**

The ornamental decorative base cover shall be one or two piece and constructed of a proprietary elastomeric urethane and finished to match the post. The base shall be corrosion free and extremely resistant to impact and chipping.

**WARRANTY**

The products shall be warranted to be free of defects for three years from the date of shipment from the factory.

**Wind Loading Data for**

**Direct Embedded and Anchor Base**

| Cat No. | Description   | WT  | WIND SPEED (MPH) WITH 3 SECOND GUST FACTOR |      |      |      |     |     |     |
|---------|---------------|-----|--|------|------|------|-----|-----|-----|
|         |               |     | 90   | 100  | 110  | 120  | 130 | 140 | 150 |
| 10      | 10 feet/3.10M | 39  | 19.1                                       | 15.3 | 12.6 | 10.5 | 8.8 | 7.6 | 6.5 |
| 11      | 11 feet/3.35M | 45  | 18.7                                       | 15.0 | 12.3 | 10.2 | 8.6 | 7.4 | 6.3 |
| 12      | 12 feet/3.66M | 51  | 18.3                                       | 14.7 | 12.0 | 10.0 | 8.4 | 7.2 | 6.2 |
| 13      | 13 feet/3.96M | 54  | 18.0                                       | 14.4 | 11.7 | 9.7  | 8.2 | 7.0 | 6.0 |
| 14      | 14 feet/4.27M | 58  | 17.6                                       | 14.0 | 11.4 | 9.5  | 8.0 | 6.8 | 5.8 |
| 15      | 15 feet/4.57M | 65  | 19.7                                       | 15.7 | 12.8 | 10.7 | 9.0 | 7.6 | 6.6 |
| 16      | 16 feet/4.88M | 68  | 19.2                                       | 15.3 | 12.5 | 10.4 | 8.7 | 7.4 | 6.4 |
| 17      | 17 feet/5.18M | 72  | 18.6                                       | 14.8 | 12.1 | 10.0 | 8.4 | 7.1 | 6.1 |
| 18      | 18 feet/5.49M | 76  | 18.0                                       | 14.3 | 11.7 | 9.7  | 8.1 | 6.9 | 5.9 |
| 19      | 19 feet/5.79M | 80  | 17.4                                       | 13.9 | 11.4 | 9.3  | 7.8 | 6.6 | 5.7 |
| 20      | 20 feet/6.10M | 85  | 16.9                                       | 13.5 | 10.9 | 9.0  | 7.6 | 6.4 | 5.5 |
| 21      | 21 feet/6.40M | 102 | 20.1                                       | 16.0 | 13.0 | 10.8 | 9.0 | 7.7 | 6.5 |
| 22      | 22 feet/6.71M | 106 | 18.9                                       | 15.1 | 12.3 | 10.1 | 8.5 | 7.2 | 6.1 |
| 23      | 23 feet/7.01M | 109 | 17.9                                       | 14.2 | 11.5 | 9.5  | 8.0 | 6.7 | 5.6 |
| 24      | 24 feet/7.32M | 113 | 16.9                                       | 13.4 | 10.9 | 9.0  | 7.5 | 6.3 | 5.2 |
| 25      | 25 feet/7.62M | 117 | 19.3                                       | 15.3 | 12.4 | 10.1 | 8.2 | 6.6 | 5.4 |
| 26      | 26 feet/7.92M | 121 | 18.5                                       | 14.7 | 11.9 | 9.6  | 7.7 | 6.2 | 5.0 |
| 27      | 27 feet/8.32M | 125 | 17.8                                       | 14.4 | 11.5 | 9.2  | 7.3 | 5.9 | 4.7 |
| 28      | 28 feet/8.53M | 128 | 17.2                                       | 13.6 | 11.0 | 8.8  | 6.9 | 5.5 | 4.4 |
| 29      | 29 feet/8.84M | 132 | 16.6                                       | 13.4 | 10.6 | 8.3  | 6.6 | 5.2 | 4.1 |
| 30      | 30 feet/9.14M | 136 | 16.0                                       | 12.6 | 10.2 | 8.0  | 6.2 | 4.9 | 3.8 |

Wind speed values are for a 3-second gust per ASCE 7-05. Calculated per ANSI C136.20-2012. Assumes load 12 inches above the pole top. Safety factor = 1.5:1. Maximum weight for tenon mount is 200 lbs.

Contact factory for AASHTO or specific local codes.