



**COMPOSITE POLE**

**SQUARE POLE 5.0 INCHES**

- Square straight composite pole shaft
- Direct Embedded and Anchor Base models
- ABS Injection Molded base cover

**Ordering Information**

SAMPLE CATALOG NUMBER LOGIC

	<b>B</b>	<b>C</b>	<b>D</b>	<b>E</b>	<b>F</b>
<b>SS5</b>	16	DE	BLK	30	
<b>SS5</b>	20	AB	DGR	23	
POLE DESIGN	ABOVE GRADE HEIGHT	INSTALLATION METHOD	COLOR	TENON O.D.	OPTIONS

**B ABOVE GRADE HEIGHT**

Cat No.	Description
<b>10</b>	10 feet/3.0M
<b>11</b>	11 feet/3.4M
<b>12</b>	12 feet/3.7M
<b>13</b>	13 feet/4.0M
<b>14</b>	14 feet/4.3M
<b>15</b>	15 feet/4.6M
<b>16</b>	16 feet/4.9M
<b>17</b>	17 feet/5.2M
<b>18</b>	18 feet/5.5M
<b>19</b>	19 feet/5.8M
<b>20</b>	20 feet/6.1M
<b>21</b>	21 feet/6.4M
<b>22</b>	22 feet/6.7M
<b>23</b>	23 feet/7.0M
<b>24</b>	24 feet/7.3M
<b>25</b>	25 feet/7.6M
<b>26</b>	26 feet/7.9M
<b>27</b>	27 feet/8.3M
<b>28</b>	28 feet/8.5M
<b>29</b>	29 feet/8.8M
<b>30</b>	30 feet/9.1M

**E TENON O.D. (OUTSIDE DIAMETER)**

Cat No.	Description
<b>23</b>	2 3/8" (60 mm)
<b>27</b>	2 7/8" (73 mm)
<b>30</b>	3" (76 mm) nominal

• For other tenon sizes contact the factory.

**F OPTIONS**

Cat No.	Description
<b>RC</b>	Receptacle housing and a NEC approved cover with GFCI receptacle. Standard location is 12"/305mm below the top of the pole.

• Other accessories are shown on the Accessories specification sheet.

**C INSTALLATION METHOD**

Cat No.	Description
<b>DE</b>	Direct Embedded
<b>AB</b>	Anchor Base

**D COLOR**

Cat No.	Description
<b>BLK</b>	Black
<b>MTB</b>	Matte Black
<b>DBZ</b>	Dark Bronze
<b>DGR</b>	Dark Green
<b>HTG</b>	Hunter Green
<b>SLV</b>	Silver
<b>WHT</b>	White
<b>GRY</b>	Grey
<b>CC</b>	Custom color - Please provide a min. 3" x 3" color chip.
<b>RAL</b>	Please provide a four digit RAL color number.



ABOVE GRADE HEIGHT  
20' MODEL SHOWN

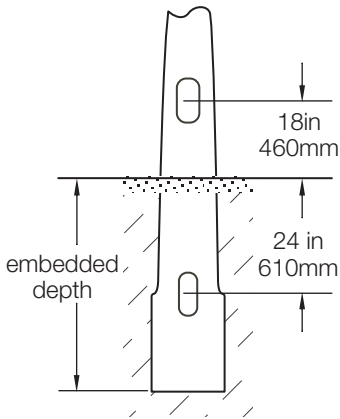
**Whatley - Valmont Composite Structures, Inc.**

19845 U.S. Highway 76 | Newberry, SC 29108 USA

Tel: 877.959.7678 | 803.276.5507 | Fax: 803.276.8940 | [whatley.com](http://whatley.com)

SQUARE POLE SHAFT

Direct Embedded - DE



SHAFT LENGTH	EMBEDDED DEPTH
10 to 13 feet	3ft/.91M
14 to 24 feet	4ft/1.2M
25 to 30 feet	5ft/1.5M

\* Embedded depths may vary per local codes, site soil conditions, drainage and very high wind conditions.

Hand hole is:  
2.5"/62mm x 5"/125mm.

Specifications

POLE SHAFT

The pole shaft shall be square straight 4" square, smooth with a 2.5"/62mm x 5"/125mm cover painted to match pole. The composite lighting pole shall be square, hollow and straight with no taper. The pole shall be non-conductive and chemically inert. The square cross section shall provide resistance to rotation.

PERFORMANCE CRITERIA

The post shall be designed with a minimum safety factor of 1.5:1 and have no more than a 15% deflection at full wind loading. The post shall deflect no more than 2.5% of the above-ground length with 100 lbs. of lateral top load. Poles shall be tested and rated per ANSI C136.20-2012.

DIRECT EMBEDDED INSTALLATION

Direct embedded poles shall have a 2.5 inch (62mm) by 5 inch (125mm) slot for conduit entrance 24 inches (610mm) below finished grade. Embedded depths may vary per local codes, site soil conditions, drainage and very high wind conditions.

ANCHOR BASE

Anchor bases shall be constructed of primed and painted aluminum or galvanized steel. The base shall be factory bonded to the post. The anchor base shall have four holes at ninety degrees, accommodating a bolt circle of 10-12.5 inches.

POST TOP

A painted aluminum or galvanized steel tenon shall be firmly bonded to the pole for mounting a post-top luminaire or arm.

FINISH

The surface of the post shall be uniform and consistent for the entire length of the post. A UV-resistant catalyzed urethane coating shall be extremely durable and retains its gloss after a 5000 hour exposure test (ASTM G-154) to the sun, with no dulling or chalking of the surface.

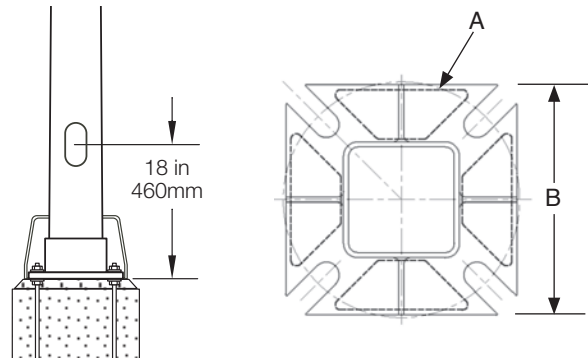
BASE COVER

The standard base cover shall be a round or square two-piece ABS cover. All base covers shall be corrosion free and painted to match pole.

WARRANTY

The products shall be warranted to be free of defects for three years from the date of shipment from the factory.

Anchor Base Installation - AB



Anchor Base Dimensions for SS5

- Hand hole is 2.5"/62mm x 5"/125mm
- Mounting holes are 1"/25mm x 1.5"/38mm for 11" bolt circle
- Conduit entry hole in base plate is 4.0"/100mm

BOLT CIRCLE (A)	BASE PLATE SIZE (B)	ANCHOR BOLTS
10"/12.5"	11.125"/283MM	3/4" x 30"

Wind Loading Data

for Direct Embedded and Anchor Base

Cat No.	Description	WIND SPEED (MPH) WITH 3 SECOND GUST FACTOR										
		WT	90	100	110	120	130	140	150	160	170	180
10	10 feet/3.1M	54	46.6	37.0	29.9	24.5	20.3	17.0	14.3	12.1	10.3	8.8
11	11 feet/3.4M	69	41.9	33.2	26.7	21.7	17.9	14.8	12.4	10.4	8.7	7.3
12	12 feet/3.7M	74	38.0	29.9	23.9	19.3	15.8	13.0	10.7	8.8	7.3	6.0
13	13 feet/4.0M	84	34.5	27.0	21.4	17.2	13.9	11.3	9.2	7.5	6.0	4.8
14	14 feet/4.1M	89	31.5	24.4	19.3	15.3	12.2	9.8	7.8	6.5	4.9	3.8
15	15 feet/4.6M	93	28.7	22.1	17.3	13.6	10.7	8.4	6.6	5.1	3.8	2.8
16	16 feet/4.9M	98	26.1	19.9	15.4	11.9	9.2	7.1	5.4	4.0	2.8	1.8
17	17 feet/5.2M	103	23.6	17.9	13.6	10.4	7.9	5.9	4.3	3.0	1.9	0.9
18	18 feet/5.5M	108	21.3	16.0	12.0	9.0	6.6	4.8	3.2	2.0	1.0	0.1
19	19 feet/5.8M	113	19.3	14.3	10.5	7.7	5.5	3.7	2.3	1.1	0.2	-
20	20 feet/6.1M	123	17.5	12.7	9.2	6.5	4.4	2.8	1.4	0.4	-	-
21	21 feet/6.4M	133	15.4	11.3	8.0	5.4	3.5	1.9	0.6	-	-	-
22	22 feet/6.7M	139	14.2	10.0	6.8	4.4	2.6	1.1	-	-	-	-
23	23 feet/7.0M	144	12.8	8.8	5.8	3.5	1.7	0.3	-	-	-	-
24	24 feet/7.3M	149	11.5	7.6	4.7	2.6	0.9	-	-	-	-	-
25	25 feet/7.6M	154	10.2	6.5	3.8	1.7	0.1	-	-	-	-	-
26	26 feet/7.9M	159	9.0	5.5	2.9	1.0	-	-	-	-	-	-
27	27 feet/8.3M	164	8.0	4.6	2.1	0.2	-	-	-	-	-	-
28	28 feet/8.5M	169	6.9	3.7	1.3	-	-	-	-	-	-	-
29	29 feet/8.8M	175	5.9	2.8	0.6	-	-	-	-	-	-	-
30	30 feet/9.1M	180	5.0	2.0	-	-	-	-	-	-	-	-

Wind speed values are for a 3-second gust per ASCE 7-05. Calculated per ANSI C136.20-2012. Assumes load 12 inches above the pole top. Safety factor = 1.5:1. Maximum weight for tenon mount is 100 lbs; for side mounting, total loading cannot exceed 50 lbs (max loading includes all attachments, arms, fixtures & accessories).

Contact factory for AASHTO or specific local codes.