



Decorative Lamp Post

Fluted Straight - 4 inch diameter pole shaft

POLE **FR4**
BASE **D5S**

- Pultruded, reinforced composite pole shaft
- Direct Embedded and Anchor Base models
- One piece XTREME® elastomeric urethane base cover

Ordering Information

SAMPLE CATALOG NUMBER LOGIC

| | B | C | D | E | F | G |
|--------------------|--------------------|---------------------|-------|------------|--------------|---------|
| FR4-D5S | 14 | DE | DGR | 40 | -30 | |
| FR4-D5S | 12 | AB | BLK | 27 | -35 | RC |
| BASE & POLE DESIGN | ABOVE GRADE HEIGHT | INSTALLATION METHOD | COLOR | TENON O.D. | TENON HEIGHT | OPTIONS |

B ABOVE GRADE HEIGHT

| Cat No. | Description |
|---------|---------------|
| 6 | 6 feet/1.83M |
| 7 | 7 feet/2.13M |
| 8 | 8 feet/2.44M |
| 9 | 9 feet/2.74M |
| 10 | 10 feet/3.05M |
| 11 | 11 feet/3.35M |
| 12 | 12 feet/3.66M |
| 13 | 13 feet/3.96M |
| 14 | 14 feet/4.27M |
| 15 | 15 feet/4.57M |
| 16 | 16 feet/4.88M |

C INSTALLATION METHOD

| Cat No. | Description |
|---------|-----------------|
| DE | Direct Embedded |
| AB | Anchor Base |

D COLOR

| Cat No. | Description |
|---------|--|
| BLK | Black |
| MTB | Matte Black |
| DBZ | Dark Bronze |
| DGR | Dark Green |
| HTG | Hunter Green |
| SLV | Silver |
| WHT | White |
| GRY | Grey |
| CC | Custom color - Please provide a min. 3" x 3" color chip. |
| RAL | Please provide a four digit RAL color number. |

E TENON O.D. (OUTSIDE DIAMETER)

| Cat No. | Description |
|---------|-------------------|
| 23 | 2 3/8" (60mm) |
| 27 | 2 7/8" (73mm) |
| 30 | 3" (76mm) nominal |
| 35 | 3 1/2" (89mm) |
| 40 | 4" (102mm) |

F TENON HEIGHT

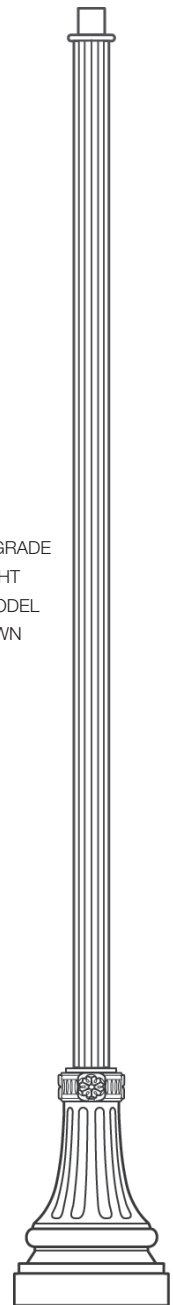
| Cat No. | Description |
|---------|--------------|
| -30 | 3.0" (76mm) |
| -35 | 3.5" (89mm) |
| -40 | 4.0" (102mm) |
| -50 | 5.0" (127mm) |

- For other tenon sizes contact the factory.

G OPTIONS

| Cat No. | Description |
|---------|---|
| RC | Receptacle housing and a NEC approved cover. GFCI receptacle by others. Standard location is 12"/305mm below the top of the pole. |

- Other accessories are shown on the Accessories specification sheet.



ABOVE GRADE HEIGHT
12' MODEL SHOWN

HEIGHT: 26"/600MM
BASE DIAMETER: 17"/430MM



Decorative Lamp Post

Fluted Straight - 4 inch diameter pole shaft

POLE **FR4**
BASE **D5S**

Specifications

POLE SHAFT

The composite lamp post shall be fluted straight round, with sixteen flutes. The post shall be 4 inches (102mm) in diameter with a nominal wall thickness of .28 inches (7mm), and .53 inches (13mm) at the peak of the flutes. The hand hole shall be 2 inches (51mm) x 4 inches (102mm) with a cover. The post shall be constructed of fiberglass reinforced isophthalic epoxy resin utilizing glass roving, continuous strand mat and off axis fibers oriented for optimum strength and rigidity. The post shall be non-conductive and chemically inert.

PERFORMANCE CRITERIA

The post shall be designed with a minimum safety factor of 1.5:1 and have no more than a 10% deflection at full wind loading. The post shall deflect no more than 2.5% of the above-ground length with 100 lbs. of lateral top load (stiffness). Poles shall be tested and rated per ANSI C136.20-2012.

DIRECT EMBEDDED INSTALLATION

Direct embedded poles shall have a 2 inch (51mm) x 4 inch (102mm) hole for conduit entrance 24 inches (610mm) below finished grade. Embedded depths may vary per local codes, site soil conditions, drainage and very high wind conditions.

ANCHOR BASE INSTALLATION

Anchor bases shall be constructed of steel or 6061-T6 aluminum base plate. The base shall be factory bonded to the post. The anchor base shall have four holes at ninety degrees, accommodating a bolt circle of 7 inches (178mm) to 9 inches (230mm).

POST TOP

A painted 6061-T6 aluminum tenon shall be firmly bonded to the pole for mounting a post-top luminaire or arm.

FINISH

The surface of the post shall be uniform and consistent for the entire length of the post. A UV-resistant catalyzed urethane coating shall be extremely durable and retains its gloss after a 5000 hour exposure test (ASTM) to the sun, with no dulling or chalking of the surface.

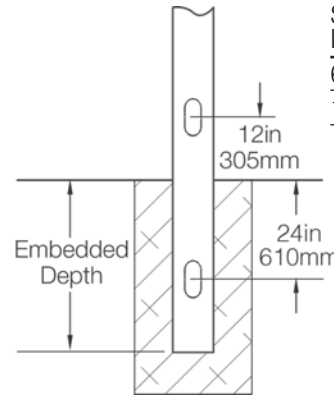
ORNAMENTAL BASE COVER

The ornamental decorative base cover shall be one piece and constructed from a proprietary elastomeric urethane and finished to match the post. The base shall be corrosion free and extremely resistant to impact and chipping.

WARRANTY

The products shall be warranted to be free of defects for three years from the date of shipment from the factory.

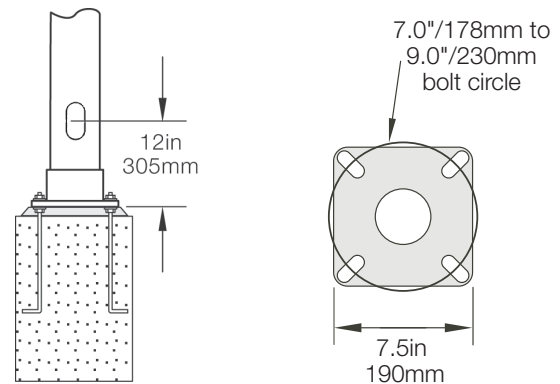
Direct Embedded - DE



| SHAFT LENGTH | EMBEDDED DEPTH |
|---------------|----------------|
| 6 to 13 feet | 3ft/.91M |
| 14 to 16 feet | 4ft/1.2M |

Anchor Base Installation - AB

BOLTS: 5/8" x 21" x 3" Galvanized with 8 washers and 4 nuts.



Wind Loading Data

| Cat No. | Description | WT | ANSI - WIND SPEED (MPH) WITH 3 SECOND GUST FACTOR | | | | | | |
|---------|---------------|----|---|------|------|------|-----|-----|-----|
| | | | 90 | 100 | 110 | 120 | 130 | 140 | 150 |
| 6 | 6 feet/1.83M | 29 | 18.7 | 15.0 | 12.3 | 12.2 | 8.7 | 7.4 | 6.4 |
| 7 | 7 feet/2.13M | 33 | 17.1 | 13.6 | 11.1 | 9.3 | 7.8 | 6.7 | 5.8 |
| 8 | 8 feet/2.44M | 36 | 14.8 | 11.7 | 9.6 | 8.0 | 6.7 | 5.7 | 5.0 |
| 9 | 9 feet/2.74M | 39 | 13.0 | 10.2 | 8.3 | 6.9 | 5.8 | 5.0 | 4.3 |
| 10 | 10 feet/3.05M | 42 | 11.4 | 8.9 | 7.3 | 6.0 | 5.0 | 4.3 | 3.7 |
| 11 | 11 feet/3.35M | 46 | 10.1 | 7.8 | 6.4 | 5.2 | 4.4 | 3.7 | 3.2 |
| 12 | 12 feet/3.66M | 49 | 8.9 | 6.9 | 5.6 | 4.6 | 3.8 | 3.2 | 2.7 |
| 13 | 13 feet/3.96M | 52 | 7.8 | 6.2 | 4.9 | 4.0 | 3.3 | 2.8 | 2.3 |
| 14 | 14 feet/4.27M | 59 | 6.9 | 5.3 | 4.3 | 3.4 | 2.8 | 2.4 | 2.0 |
| 15 | 15 feet/4.57M | 62 | 6.0 | 4.7 | 3.7 | 3.0 | 2.4 | 2.0 | 1.6 |
| 16 | 16 feet/4.88M | 65 | 5.2 | 4.0 | 3.2 | 2.5 | 2.0 | 1.6 | 1.4 |

Wind speed values are for a 3-second gust per ASCE. Calculated per ANSI C136.20-2012. 1.0 Importance factor. Assumes load 12 inches above the pole top. Safety factor = 1.5:1.

Contact the factory for AASHTO or specific local codes.

Copyright © 2019 Valmont Industries, Inc. Whatley. All rights reserved. Whatley has a policy of continuous product improvement and development. As a result, certain changes in standard equipment, options, price, etc. may have occurred after the publication of this document. Some images and specifications may not be identical to current production. Whatley reserves the right to change product design and specifications at any time without incurring obligations. SPC7375 0719

