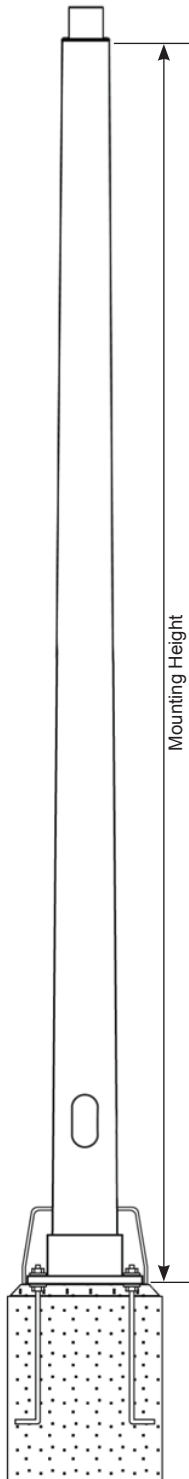


ROUND TAPERED COMPOSITE LIGHT POLE ANCHOR BASE INSTALLATION

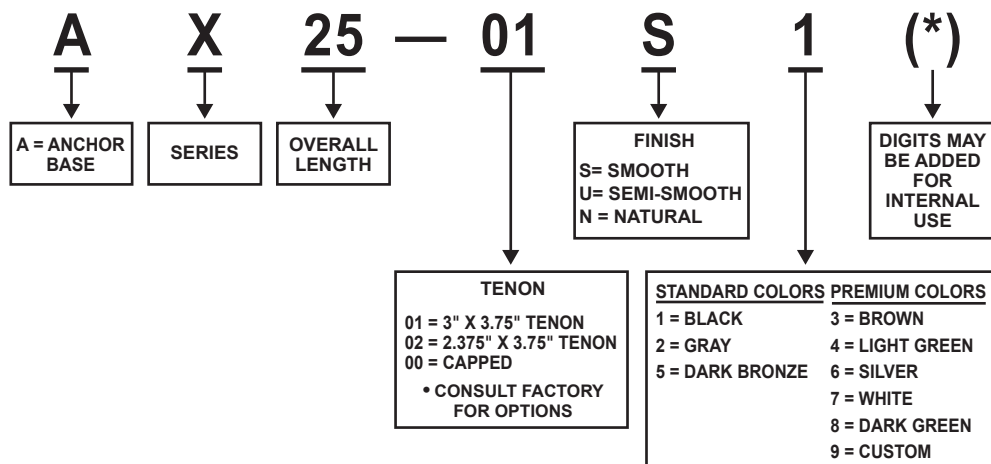
SHAKESPEARE AX-SERIES ANCHOR BASE POLES



MOUNTING HEIGHT	TIP DIAMETER	GROUNDLINE DIAMETER	WEIGHT
15	4.8	6.9	95
16	4.8	7.0	101
17	4.8	7.1	106
18	4.8	7.2	110
19	4.8	7.4	115
20	4.8	7.4	120
21	4.8	7.4	142
22	4.8	7.4	147
23	4.8	7.5	151
24	4.8	7.5	156
25	4.8	7.5	160
26	4.9	8.5	165
27	4.9	8.6	170
28	4.9	8.6	175
29	4.9	8.7	179
30	4.9	8.7	184
31	4.9	8.7	188
32	4.9	8.7	193
33	4.9	8.7	198
34	4.9	8.7	203
35	4.9	8.7	208

- Mounting heights to 35 feet
- Smooth, semi-smooth or natural finish
- 3 standard and 5 special architectural colors available
- High performance UV and weather-resistant pigmented resin system with an additional pigmented polyurethane coating.
- Tenon top or Drilled and Capped
- Standard 2-1/2" x 5" handhole located 18" above grade
- Poles are individually identified with a permanent embossed tag located 9" from tip.
- Sleeved individually for shipment
- Lightweight, easy to install, saves money

ORDERING INFORMATION



AX-SERIES



ROUND TAPERED COMPOSITE LIGHT POLE - ANCHOR BASE INSTALLATION

SPECIFICATIONS

POLE SHAFT

The pole shaft shall be round tapered, smooth with a .14"/3.5mm per foot taper. The hand hole shall be 2.5"/62mm x 5"/125mm with a cover. The shaft shall be constructed of continuous fiberglass filament combined with a thermosetting resin. The glass filament shall be helically wound at alternating high and low angle layers for maximum compressive and bending strength. The hand hole area and hardware attachment areas shall be reinforced. The poles shall be designed with a minimum safety factor of 1.5:1 and have a maximum deflection of 15% under full wind loading conditions.

The post shall be non-conductive and chemically inert.

PERFORMANCE CRITERIA

The post shall be designed with a minimum safety factor of 1.5:1 and have no more than a 15% deflection at full wind loading. The post shall deflect no more than 2.5% of the above-ground length with 100 lbs. of lateral top load. Poles shall be tested and rated per ANSI C136.20-2012.

ANCHOR BASE

Anchor bases shall be constructed of primed and painted aluminum or galvanized steel. The base shall be factory bonded to the pole.

TENON

A painted galvanized steel or aluminum tenon shall be firmly bonded to the pole for mounting a post-top luminaire or arm.

FINISH

The surface of the post shall be uniform and consistent for the entire length of the post. A UV-resistant catalyzed urethane coating shall be extremely durable and retains its gloss after a 5000 hour exposure test (ASTM G-154) to the sun, with no dulling or chalking of the surface.

BASE COVER

The standard base cover shall be a round or square two-piece cover. All base covers shall be corrosion free and painted to match pole.

WARRANTY

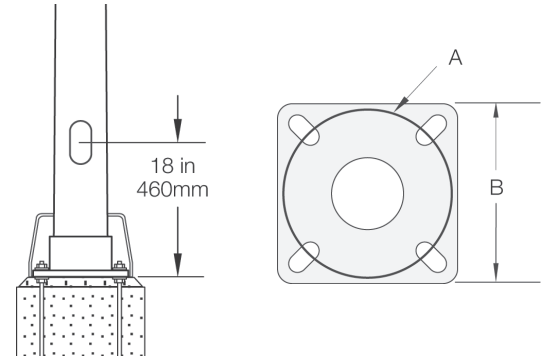
The products shall be warranted to be free of defects for three years from the date of shipment from the factory.

WIND LOADING DATA

Wind speed (mph) values calculated as per ANSI C136.20 for a 3-second gust factor.

MOUNTING HEIGHT	LUMINAIRE MAX WEIGHT (LBS.)	90 MPH	100 MPH	110 MPH	120 MPH	130 MPH	140 MPH	150 MPH
15	200	28.0	22.5	18.4	15.4	13.0	11.1	9.6
16	200	26.3	21.1	17.3	14.4	12.2	10.4	9.0
17	200	24.7	19.8	16.2	13.5	11.3	9.7	8.3
18	200	23.2	18.6	15.2	12.6	10.6	9.1	7.8
19	200	22.2	17.7	14.5	12.0	10.1	8.6	7.4
20	200	20.7	16.5	13.5	11.2	9.4	8.0	6.8
21	200	19.3	15.4	12.5	10.4	8.7	7.4	6.3
22	200	18.0	14.3	11.6	9.6	8.1	6.8	5.8
23	200	16.7	13.3	10.8	7.9	7.4	6.3	5.3
24	200	15.6	12.4	10.0	8.3	6.9	5.8	4.8
25	200	14.5	11.5	9.3	7.7	6.4	5.4	4.4
26	300	15.2	12.0	9.7	8.0	6.6	5.6	4.5
27	300	14.4	11.4	9.2	7.5	6.3	5.2	4.2
28	300	13.7	10.8	8.7	7.1	5.9	4.8	3.9
29	300	13.0	10.2	8.2	6.7	5.5	4.5	3.6
30	300	12.3	9.7	7.7	6.3	5.2	4.2	3.3
31	300	11.5	9.0	7.2	5.8	4.8	3.9	3.0
32	300	10.8	8.4	6.7	5.4	4.4	3.5	2.7
33	300	10.4	7.8	6.2	5.0	4.1	3.2	2.4
34	300	9.4	7.3	5.7	4.6	3.7	3.0	2.1
35	300	8.8	6.8	5.3	4.2	3.4	2.6	1.9

Anchor Base Installation - AX



Anchor Base Dimensions for AX-Series

- Hand hole is 2.5"/62mm x 5"/125mm

SHAFT LENGTH	BOLT CIRCLE (A)	BASE PLATE SIZE (B)	SHROUD NUMBER	ANCHOR BOLTS	SLOT SIZE
15'-25'	11.0"	11.0"	OPSH-2025	1.00"	1.25" x 2.25"
26'-35'	11.5"	11.0"	OPSH-2735	1.00"	1.5" x 1.75"

Wind speed values are for a 3-second gust. Calculated per ANSI C136.20-2012. Assumes load 12 inches above the pole top. Safety factor = 1.5:1. Contact factory for AASHTO or specific local codes.

