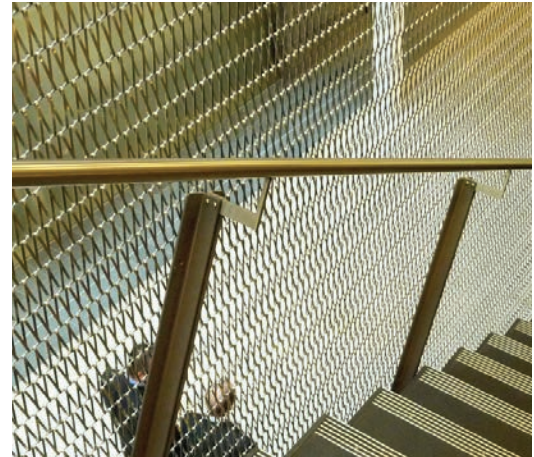


Profile | **Transit F360**

Material	S/S T316
Finish	Mill
Open Area	61%
Type	Flexible
Stock Status	Custom Made
Max. Width	197"
Max. Length	As per Application
Weight	2.212 lb/ft ²
Wire Dia	0.236" x 0.039" (6.0/1.0 Ribbon)
Aperture	0.764" x 2.56"
Form	Roll



* Typical Architectural Facade Installation

Applications:

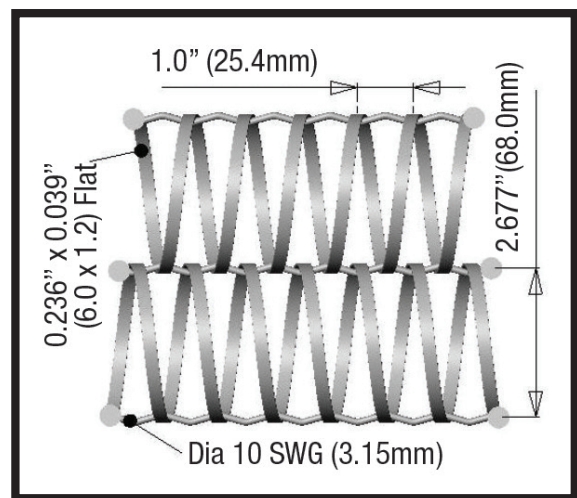
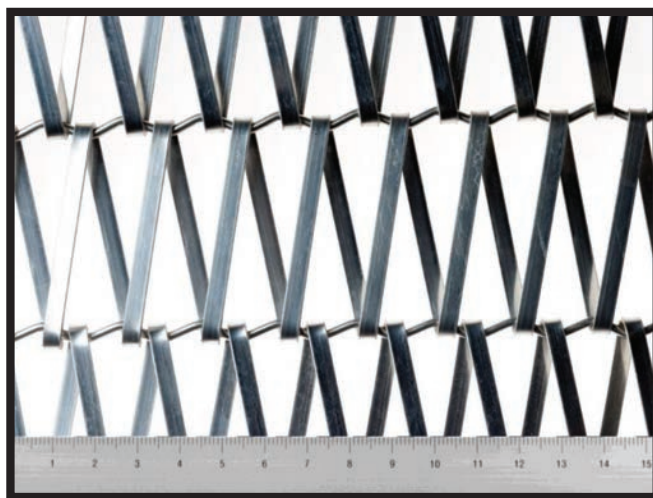
Building Facades, Features

Attachment Methods:

Fastening systems from the Valmont® Structures Architectural Facades product line including; Angle, Cap, Flat Bar, L5 Series of Tension fastening systems or L7 Curtain Screw Series. See website for more details.

Extras Notes:

Dimensions are nominal



Contact your local Sales Representative today at: 941.402.3554 • facades@valmont.com