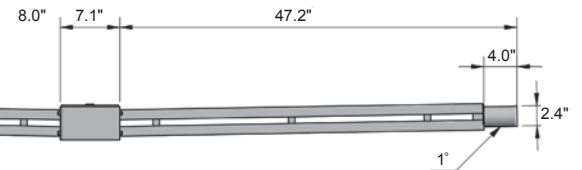
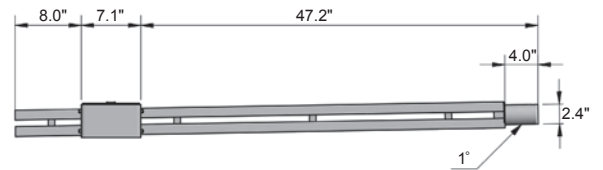
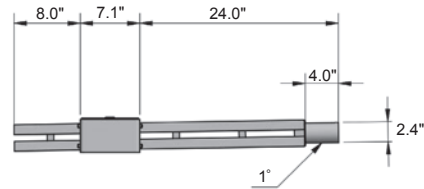
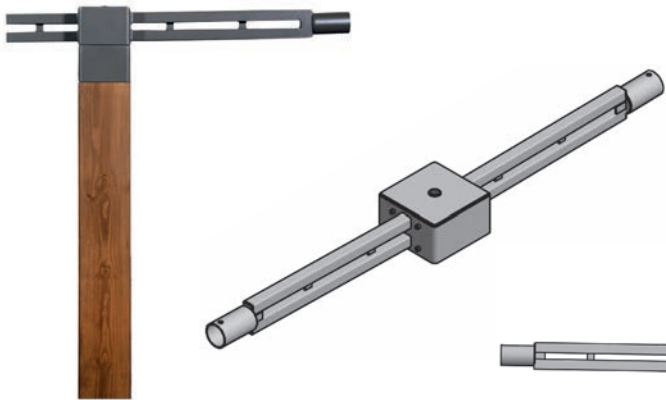


TIKKA

Steel Arms Decorative Arms for Wooden Poles

Features

- Compatible with the following wood poles: Inari, Koli, Lempea, Pallas, Ruka
- Steel arms are galvanized to international standard SFS-EN ISO 1461
- Choice of two arm-spans for optimal illumination to match a variety of area lighting settings
- When ordering with pole, the pole top tenon will be manufactured to match accordingly



Designation, Load and Dimensional Data

DESIGN INFORMATION							LOADING INFORMATION ²		
ARM DESIGN	MODEL NUMBER	ARM TYPE	SPAN (FT)	RISE (IN)	ARM EPA (SQ FT)	ARM WEIGHT (LBS)	MAX DESIGN WIND SPEED (MPH)	MAX LUMINAIRE EPA (SQ FT)	MAX LUMINAIRE WEIGHT (LBS)
Single	Tikka 1	TI02	1.97	0	1.10	13.9	100	3.00	75
		TI04	3.95	0	1.70	18.8	100	3.00	75
Double	Tikka 2	TI02	1.97	0	1.40	17.6	100	3.00	75
		TI04	3.95	0	2.70	26.5	100	3.00	75

1. EPA values are calculated using fastest mile winds. EPA represents the Effective Projected Area of each luminaire. Designs are limited to one luminaire per arm end. Variations from sizes above are available upon inquiry at the factory. Satisfactory performance of arms is dependent upon the arm being properly attached to a supporting pole and foundation of adequate design.

2. Wind loading is based on AASHTO LTS-6 (2013) design.

Job Name: _____
 Job Location - City: _____ State: _____
 Quote: _____
 Client Name: _____
 Created By: _____ Date: _____
 Customer Approval: _____ Date: _____

